

3V SERIES, TRIPLE METAL DEEP TANK HEATERS								
WATTS	VOLTS	HOT 3 TUBE ZONE LENGTH		STEEL	304 SS	316 SS	TITANIUM	EST. SHIP WGT. Lbs./kg)
		In./(mm)	In./(mm)					
18000	240	30	36	3VP18236-R*-**	3VF18236-R*-**	3VS18236-R*-**	3VT18236-R*-**	70
	480	(760)	(915)	3VP18436-R*-**	3VF18436-R*-**	3VS18436-R*-**	3VT18436-R*-**	(32)
24000	240	37	44	3VP24244-R*-**	3VF24244-R*-**	3VS24244-R*-**	3VT24244-R*-**	75
	480	(940)	(1120)	3VP24444-R*-**	3VF24444-R*-**	3VS24444-R*-**	3VT24444-R*-**	(34)
27000	480	44	50	3VP27450-R*-**	3VF27450-R*-**	3VS27450-R*-**	3VT27450-R*-**	80
		(1120)	(1270)					(36)
30000	480	49	55	3VP30455-R*-**	3VF30455-R*-**	3VS30455-R*-**	3VT30455-R*-**	87
		(1245)	(1400)					(40)
36000	480	58	64	3VP36464-R*-**	3VF36464-R*-**	3VS36464-R*-**	3VT36464-R*-**	100
		(1475)	(1625)					(46)
45000	480	66	72	3VP45472-R*-**	3VF45472-R*-**	3VS45472-R*-**	3VT45472-R*-**	120
		(1675)	(1830)					(55)
48000	480	70	76	3VP48476-R*-**	3VF48476-R*-**	3VS48476-R*-**	3VT48476-R*-**	125
		(1780)	(1930)					(57)
54000	480	78	84	3VP54484-R*-**	3VF54484-R*-**	3VS54484-R*-**	3VT54484-R*-**	140
		(1980)	(2135)					(64)

* Specify cold zone required. Example: 3VP18236-R59-P2.

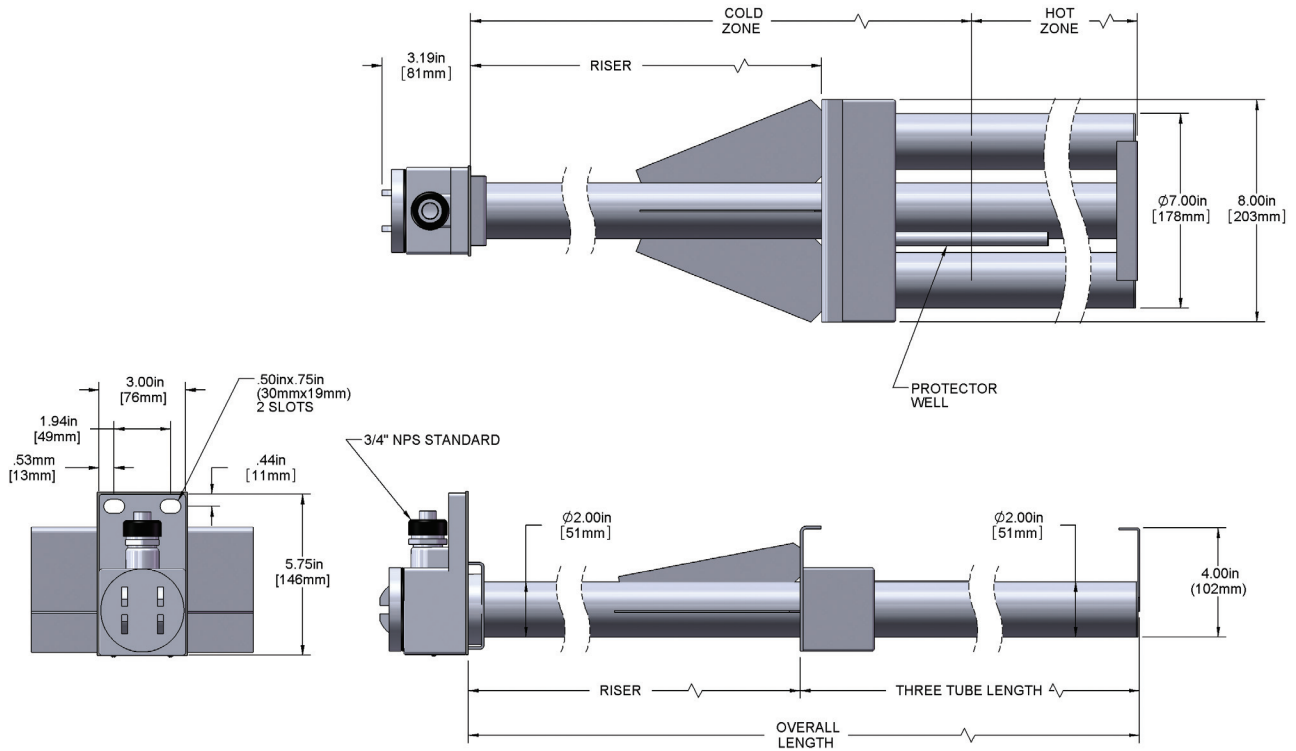
Product Features and Benefits:

- ◆ **SUPERIOR CHEMICAL RESISTANCE:** Materials available for use in most aqueous alkaline solutions, plating solutions, and rinse tanks. Check solution recommendation chart or with your chemical supplier for proper sheath material selection.
- ◆ **RUGGED CONSTRUCTION:** Heavy wall metal sheaths available in:
 - Steel.
 - 304 stainless steel.
 - 316 stainless steel.
 - Titanium.
- ◆ **LONG LASTING PERFORMANCE:** Watt densities of 35 watts per square inch (5.4 w/cm²) ensure long service life.
- ◆ **CORROSION RESISTANT HEAD:** Vapor resistant, flame retardant polypropylene terminal enclosure with 3-foot (.9m) flexible PVC liquid tight conduit.
- ◆ **SAFETY FEATURES:**
 - Grounded construction.
 - Thermal protector built in. Resettable P2 protector standard for solutions up to 180°F (82°C).
 - Non-floating construction.
- ◆ **CERTIFICATIONS:** UL listed (except steel) to U.S. and Canadian safety requirements, and CE.
- ◆ **SIZES:** 18,000 watts to 54,000 watts.
- ◆ **VOLTAGES:** 240 to 480 volts. Three phase standard, single phase available. Some amperage limitations apply, consult factory.
- ◆ **OPTIONS AVAILABLE (consult factory):**
 - Resettable thermal protectors:
 - P6: for solutions from up to 230°F (110°C).
 - Special configurations and lengths.
 - Longer wire and conduit lengths.
 - Lower watt densities for highly viscous solutions.
 - Temperature and level controls sized to match the heater.

Your Distributor:

80 Metcalfe Street • Buffalo, NY 14206 U.S.A. • **US/CN: 800-777-2436** • 716-856-2300 • Fax: 716-856-7115
 www.cdibuffalo.com • E-mail: sales@cdibuffalo.com

DIMENSIONS



TRIPLE TUBE DEEP TANK METAL OVER THE SIDE HEATER ORDERING INFORMATION

Series	Wattage	Voltage	Hot Zone Length (in.)	Riser Length	Options	Type of Protector	Wire and Conduit Length
	18 = 18000 24 = 24000 27 = 27000 30 = 30000 36 = 36000 45 = 45000 48 = 48000 54 = 54000	2 = 240 3 = 380 4 = 480 5 = 415 6 = 600 7 = 400 8 = 208 9 = 220 0 = 200	30 = 18kW 37 = 24kW 44 = 27kW 49 = 30kW 58 = 36kW 66 = 45kW 70 = 48kW 78 = 54kW	specify custom lengths, not to exceed tank depth Ex: -R48 = 48"			no designator = 36" length standard specify variations from standard Ex: -X84 = 84"
	3VP = steel 3VF = 304 stainless steel 3VS = 316 stainless steel 3VT = titanium					Resettable Protector (additional control components required)	
						-P2 for solutions up to 180°F -P6 for 180° - 230°F solutions	
							1 inch = 25.4mm
							no designator = three phase power (standard) -1 = single phase power

ORDERING EXAMPLE:

3VPI8236-R59-P2

Triple tube, deep tank, plain steel, 18,000 watts, 240 volt, 36" three tube length, 59" riser, P2 protector.

Your Distributor:

80 Metcalfe Street • Buffalo, NY 14206 U.S.A. • **US/CN: 800-777-2436** • 716-856-2300 • Fax: 716-856-7115

www.cdibuffalo.com • E-mail: sales@cdibuffalo.com