**VB SERIES, VACUUM BREAKERS**

SIZE (NPT)	MODEL NUMBER	SHIP WGT. Lbs./kg
1/2"	VB-5	1 (.5)

Recommended for all fluoropolymer heat exchangers used with steam service.

Product Features and Benefits:

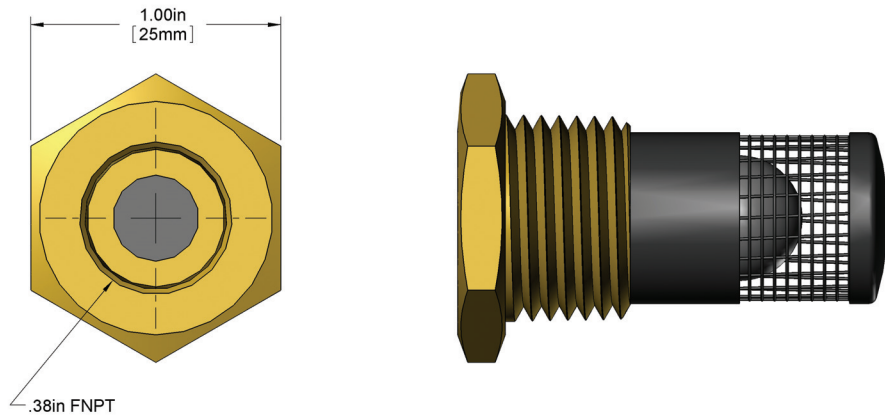
- ◆ **STEAM HEATING APPLICATIONS:** Protects fluoropolymer heat exchangers from collapse damage due to vacuum conditions that often occur in steam lines.
- ◆ **RUGGED CONSTRUCTION:** Brass body with stainless steel operating mechanism and EPR O-ring seat.
- ◆ **EASY INSTALLATION.**
- ◆ **CAPACITIES:**
 - ½-inch FNPT only.
 - Maximum steam service: 50 PSIG.
 - Maximum temperature rating: 365°F (185°C).
 - Can be installed in any position.

NOTE: One vacuum breaker should be installed immediately downstream from each fluoropolymer heat exchanger in the system.

Your Distributor:

80 Metcalfe Street • Buffalo, NY 14206 U.S.A. • **US/CN: 800-777-2436** • 716-856-2300 • Fax: 716-856-7115
www.cdibuffalo.com • E-mail: sales@cdibuffalo.com

DIMENSIONS



VACUUM BREAKER ORDERING INFORMATION

Series	Size (NPT)
VB	-5 = 1/2"

ORDERING EXAMPLE:

VB-5
Vacuum breaker, 1/2" NPT.

Your Distributor:

80 Metcalfe Street • Buffalo, NY 14206 U.S.A. • **US/CN: 800-777-2436** • 716-856-2300 • Fax: 716-856-7115

www.cdibuffalo.com • E-mail: sales@cdibuffalo.com