



THERMAX ² HEAT EXCHANGERS						
EXCHANGE AREA Sq. ft./ (sq. m)	OVERALL LENGTH In./ (mm)	DIM. DIA. In./ (mm)	CONNECTIONS (MNPT)		MODEL NUMBER	SHIP WGT. Lbs./ (kg)
			CIRCUIT A	CIRCUIT B		
1.1 (.10)	6.25 (159)	2.75 (70)	3/4"	1/2"	IS1.1-2.75-6.25	5 (2.5)
2.5 (.23)	10.25 (261)	2.75 (70)	3/4"	1/2"	IS2.5-2.75-10.25	7 (3)
3.8 (.35)	14.25 (362)	2.75 (70)	3/4"	1/2"	IS3.8-2.75-14.25	10 (14.5)
3.8 (.35)	10.75 (273)	3.75 (95)	1"	1/2"	IS3.8-3.75-10.75	15 (7)
5.8 (.54)	15.50 (394)	3.75 (95)	1"	3/4"	IS5.8-3.75-15.5	20 (9)
7.8 (.72)	20.25 (515)	3.75 (95)	1"	3/4"	IS7.8-3.75-20.25	24 (11)
15.0 (1.40)	20.25 (515)	4.75 (120)	1-1/4"	3/4"	IS15.0-4.75-20.25	30 (13.5)

Product Features and Benefits:

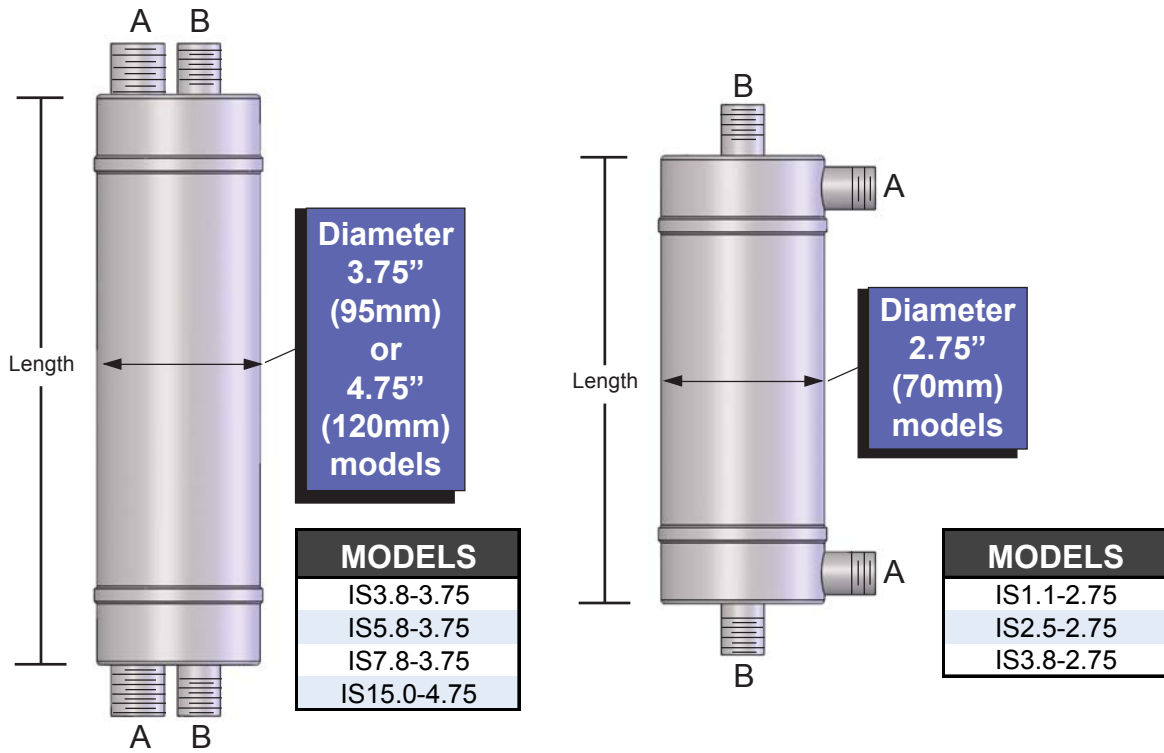
- ◆ **HIGH OVERALL HEAT TRANSFER:** Enhanced turbulence with low pressure drops. Wetted surface area 5 to 6 times that of equivalent tubular designs. Heat transfer rates 3 to 4 times that of tubular heat exchangers.
- ◆ **INNOVATIVE DESIGN:** Cylindrical dimpled plate design wound into a self-enclosed spiral provides extremely high thermal transfer for package size. Patented fabrication process ensures consistent, high quality production.
- ◆ **ALL WELDED CONSTRUCTION:** No gaskets to fail. TIG welding is used on the sheet edge (which separates Circuit A from Circuit B).
- ◆ **LOW INTERNAL VOLUME:** Maximum single circuit capacity 76 fluid ounces (2.2 liters).
- ◆ **COMPACT MODULAR DESIGN:** Offers easy installation and servicing. Manifolding is simplified for larger applications. Heat loss is low, requiring little or no insulation.
- ◆ **TEMPERATURE RANGE:** -60°F (-50°C) to 480°F (250°C)
- ◆ **PRESSURE RATING:**
 - Axial Circuit A: 230 PSI (1586 kPa or 16 bar)
 - Spiral Circuit B: 360 PSI (2482 kPa or 25 bar)
- ◆ **CHEMICAL COMPATIBILITY:** Chemistries compatible with 316L and silicon baffles (B circuit only).
- ◆ **MAXIMIZED HEAT TRANSFER SURFACE:** Dimpled sheet provides sheet spacing localized turbulence. Results in very high heat transfer rates.
- ◆ **APPLICATIONS:** Industrial, process system, cogeneration, solar, plating, electronics, commercial & industrial washers, evaporators/condensers, chillers, heat recovery, boilers (steam and water), vapor recovery, and water heaters.
- ◆ **SIZES:** Seven sizes from 1.1 ft² (.10 m²) to 15 ft² (1.4 m²). Compact cylinders from 3" (70mm) x 6" (158mm) to 5" (120mm) x 20" (515mm).

Your Distributor:

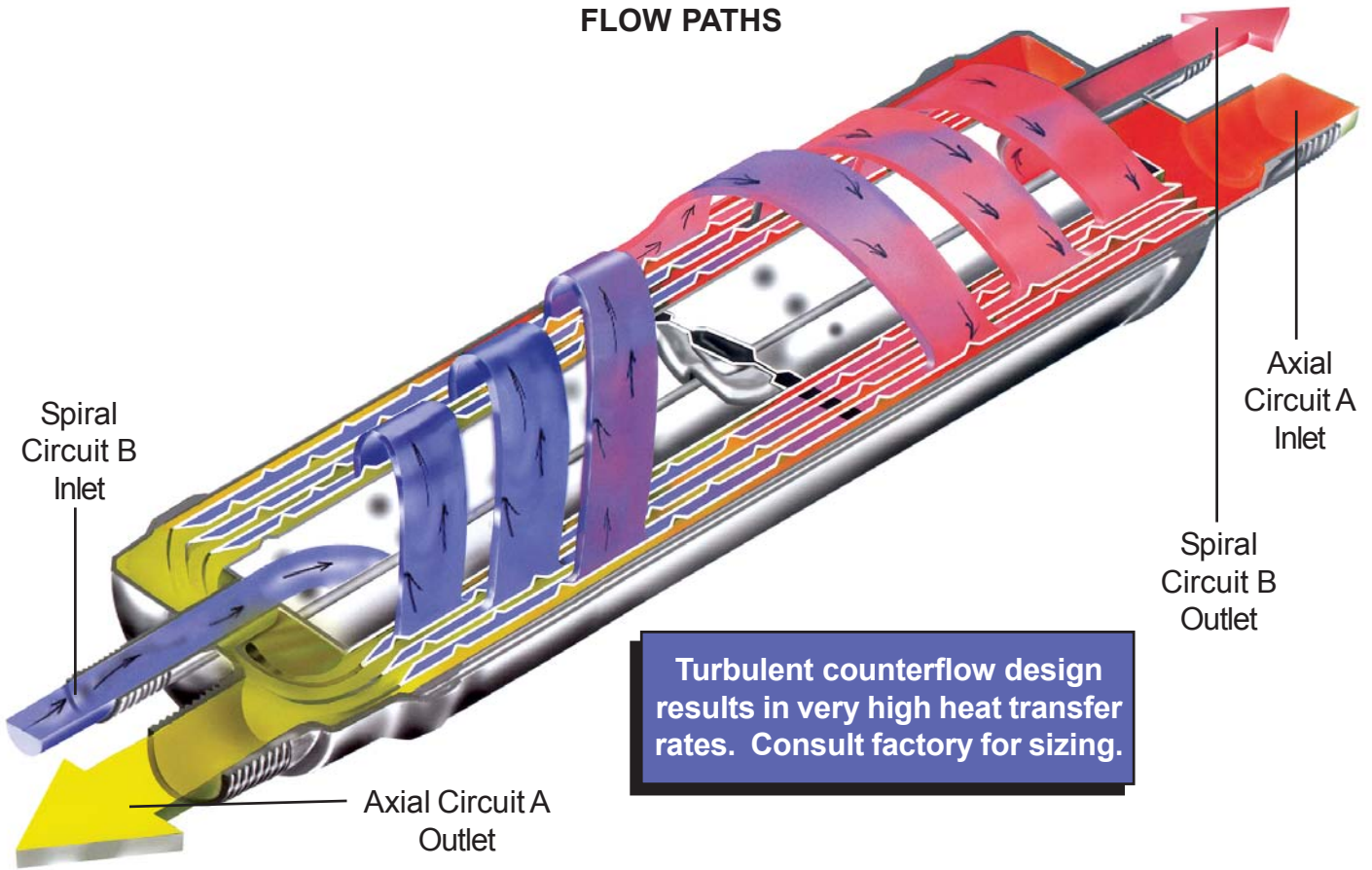
80 Metcalfe Street • Buffalo, NY 14206 U.S.A. • US/CN: 800-777-2436 • 716-856-2300 • Fax: 716-856-7115

www.cdibuffalo.com • E-mail: sales@cdibuffalo.com

DIMENSIONS



FLOW PATHS



Your Distributor:

80 Metcalfe Street • Buffalo, NY 14206 U.S.A. • US/CN: 800-777-2436 • 716-856-2300 • Fax: 716-856-7115

www.cdibuffalo.com • E-mail: sales@cdibuffalo.com