

P, F, S, and T SERIES, METAL HEATERS									
WATTS	VOLTS	HOT	OVERALL	STEEL	304 SS	316 SS	TITANIUM	SHIP WGT.	Lbs./kg)
		ZONE	LENGTH						
		Ln./mm)	Ln./mm)						
1000	120	6	11	P1111-**	F1111-**	S1111-**	T1111-**	7	
	240	(155)	(280)	P1211-**	F1211-**	S1211-**	T1211-**	(3.5)	
2000	120	10	17	P2117-**	F2117-**	S2117-**	T2117-**	10	
	240	(255)	(430)	P2217-**	F2217-**	S2217-**	T2217-**	(4.5)	
3000	480			P2417-**	F2417-**	S2417-**	T2417-**		
	240	16	23	P3223-**	F3223-**	S3223-**	T3223-**	11	
4000	480	(405)	(585)	P3423-**	F3423-**	S3423-**	T3423-**	(5)	
	240	20	29	P4229-**	F4229-**	S4229-**	T4229-**	13	
5000	480	(510)	(735)	P4429-**	F4429-**	S4429-**	T4429-**	(6)	
	240	25	35	P5235-**	F5235-**	S5235-**	T5235-**	15	
6000	480	(635)	(890)	P5435-**	F5435-**	S5435-**	T5435-**	(7)	
	240	30	40	P6240-**	F6240-**	S6240-**	T6240-**	17	
8000	480	(760)	(1015)	P6440-**	F6440-**	S6440-**	T6440-**	(8)	
	240	37	47	P8247-**	F8247-**	S8247-**	T8247-**	23	
9000	480	(940)	(1195)	P8447-**	F8447-**	S8447-**	T8447-**	(10.5)	
	240	44	54	P9254-**	F9254-**	S9254-**	T9254-**	24	
10000	480	(1120)	(1370)	P9454-**	F9454-**	S9454-**	T9454-**	(11)	
	240	49	59	P10259-**	F10259-**	S10259-**	T10259-**	25	
12000	480	(1245)	(1500)	P10459-**	F10459-**	S10459-**	T10459-**	(11.5)	
	240	58	68	P12268-**	F12268-**	S12268-**	T12268-**	28	
	480	(1475)	(1730)	P12468-**	F12468-**	S12468-**	T12468-**	(13)	

Three phase available as option. Add "-3" before thermal protector designator.

## Product Features and Benefits:

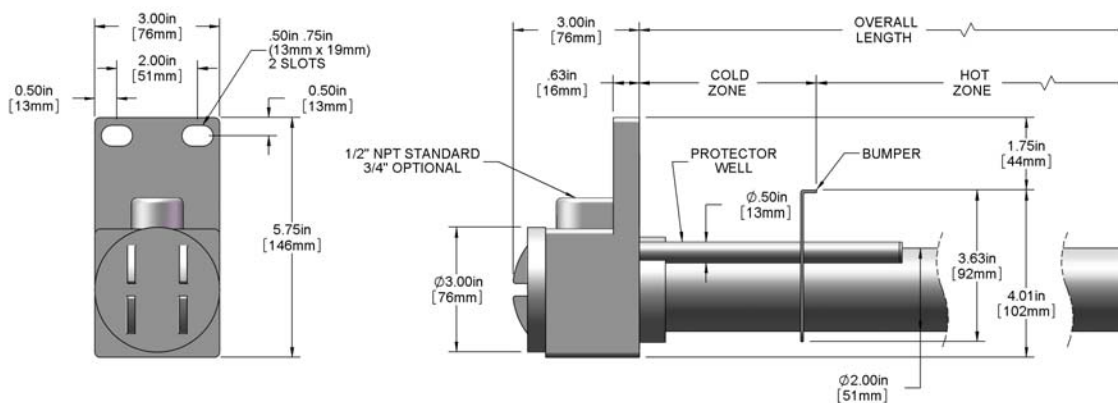
- ◆ **SUPERIOR CHEMICAL RESISTANCE:** Materials available for use in most aqueous alkaline solutions, plating solutions, and rinse tanks. Check solution recommendation chart or with your chemical supplier for proper sheath material selection.
- ◆ **RUGGED CONSTRUCTION:** Heavy wall metal sheaths available in:
  - Steel.
  - 304 stainless steel.
  - 316 stainless steel.
  - Titanium.
- ◆ **OUTSTANDING PERFORMANCE:** Watt densities of 35 watts per square inch (5.4 w/cm<sup>2</sup>) ensure long service life.
- ◆ **CORROSION RESISTANT HEAD:** Vapor tight, flame retardant polypropylene terminal enclosure with 3-foot (.9m) flexible PVC liquid tight conduit.
- ◆ **SAFETY FEATURES:**
  - Grounded construction.
  - Thermal protector built in. Replaceable P1 fuse standard for solutions up to 180°F (82°C).
  - Non-floating construction.
- ◆ **CERTIFICATIONS:** UL listed (except steel) to U.S. and Canadian safety requirements, and CE.
- ◆ **SIZES:** 1,000 watts to 12,000 watts.
- ◆ **VOLTAGES:** 120, 240 or 480 volts. 208, 380, 415, 600 and other voltages available. Single phase standard, three phase available.
- ◆ **OPTIONS AVAILABLE (consult factory):**
  - Replaceable thermal protectors:
    - P4: for solutions from 180°F (82°C) to 230°F (110°C).
  - Resettable thermal protectors:
    - P2: for solutions up to 180°F (82°C).
    - P6: for solutions from 180°F (82°C) to 230°F (110°C).
  - Special configurations and lengths.
  - Longer wire and conduit lengths.
  - Lower watt densities for highly viscous solutions.
  - Temperature and level controls sized to match the heater.

Your Distributor:

80 Metcalfe Street • Buffalo, NY 14206 U.S.A. • US/CN: 800-777-2436 • 716-856-2300 • Fax: 716-856-7115

www.cdibuffalo.com • E-mail: sales@cdibuffalo.com

## DIMENSIONS



## SINGLE TUBE METAL OVER THE SIDE HEATER ORDERING INFORMATION

Series	Wattage	Voltage	Length (in.)	Options	Type of Fuse	Wire and Conduit Length														
	1 = 1000 2 = 2000 3 = 3000 4 = 4000 5 = 5000 6 = 6000 8 = 8000 9 = 9000 10 = 10000 12 = 12000	1 = 120 2 = 240 3 = 380 4 = 480 5 = 415 6 = 600 7 = 400 8 = 208 9 = 220 0 = 200	11 = 1kW 17 = 2kW 23 = 3kW 29 = 4kW 35 = 5kW 40 = 6kW 47 = 8kW 54 = 9kW 59 = 10kW 68 = 12kW specify custom lengths, not to exceed tank depth			no designator = 36" length standard specify variations from standard Ex: -X84 = 84" wire and conduit														
	P = steel F = 304 stainless steel S = 316 stainless steel T = titanium																			
	no designator = single phase power (standard) -3 = three phase power																			
					<table border="1" style="width: 100%; border-collapse: collapse;"> <thead> <tr> <th colspan="2" style="text-align: center;">Replaceable Fuse</th> </tr> </thead> <tbody> <tr> <td style="width: 50%;">-P1 (std)</td> <td>for solutions up to 180°F</td> </tr> <tr> <td>-P4</td> <td>for 180° - 230°F solutions</td> </tr> <tr> <th colspan="2" style="text-align: center;">Resettable Fuse</th> </tr> <tr> <td colspan="2" style="text-align: center;">(additional control components required)</td> </tr> <tr> <td>-P2</td> <td>for solutions up to 180°F</td> </tr> <tr> <td>-P6</td> <td>for 180° - 230°F solutions</td> </tr> </tbody> </table>	Replaceable Fuse		-P1 (std)	for solutions up to 180°F	-P4	for 180° - 230°F solutions	Resettable Fuse		(additional control components required)		-P2	for solutions up to 180°F	-P6	for 180° - 230°F solutions	
Replaceable Fuse																				
-P1 (std)	for solutions up to 180°F																			
-P4	for 180° - 230°F solutions																			
Resettable Fuse																				
(additional control components required)																				
-P2	for solutions up to 180°F																			
-P6	for 180° - 230°F solutions																			
						1 inch = 25.4mm														

### ORDERING EXAMPLE:

T12468-P4-X84

Titanium, 12,000 watts, 480 volt, 68" overall length, P4 fuse, 84" wire and conduit.

Your Distributor:

80 Metcalfe Street • Buffalo, NY 14206 U.S.A. • US/CN: 800-777-2436 • 716-856-2300 • Fax: 716-856-7115

www.cdibuffalo.com • E-mail: sales@cdibuffalo.com