

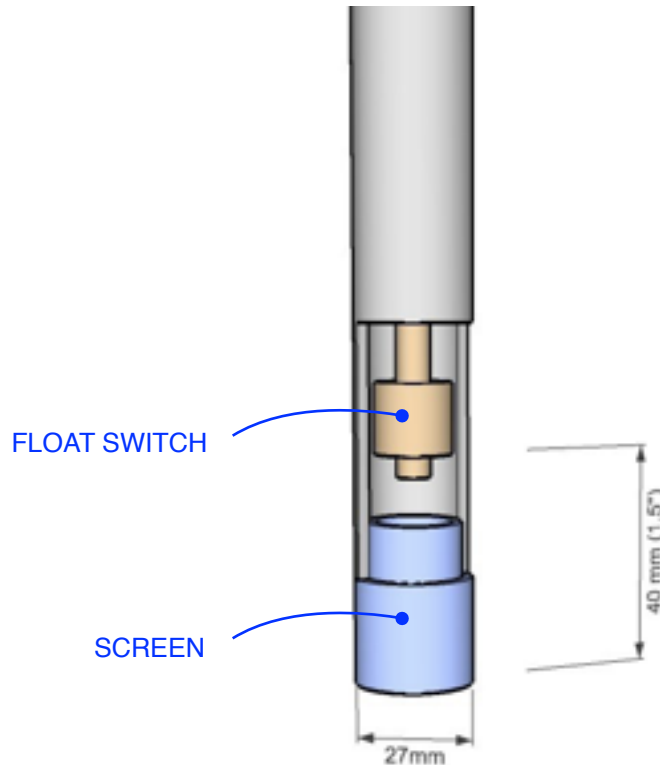
TANK ALARM INSTRUCTIONS

1. CONNECT BATTERY

Open the cover and snap the battery into the battery clip. Replace cover. On units powered by AC adapter, plug in the power jack.

2. MOUNT AND ADJUST DEPTH

Mount the tank alarm on your tank and then adjust the working depth using the following diagram as a guide.



3. BATTERY REMINDER

Put a reminder on your PM program to replace the battery according to this chart. As a guide, a single battery will provide 50 hours of continuous alarming and has a shelf life of 10 years.

ALARM FREQUENCY	REPLACEMENT TIME
Several times daily	Yearly
Once a day	two years
Weekly	4 years
Occasionally	6 years

Feb 11, 2010