



<b>IX SERIES, INSULATORS</b>			
SIZE (NPT)	LENGTH In./(mm)	MODEL NUMBER	SHIP WGT. Lbs./(kg)
1/2"	2" (51)	IX-5-*	1 (.5)
3/4"	2" (51)	IX-3-*	1 (.5)
1"	2-1/2" (63.5)	IX-1-*	1 (.5)
1 1/4"	2-1/2" (63.5)	IX-1-1/4-*	1 (.5)
1 1/2"	2-1/2" (63.5)	IX-1-1/2-*	1 (.5)
2"	2-1/2" (63.5)	IX-2-*	1 (.5)

\* S = stainless steel, T = titanium.

## Product Features and Benefits:

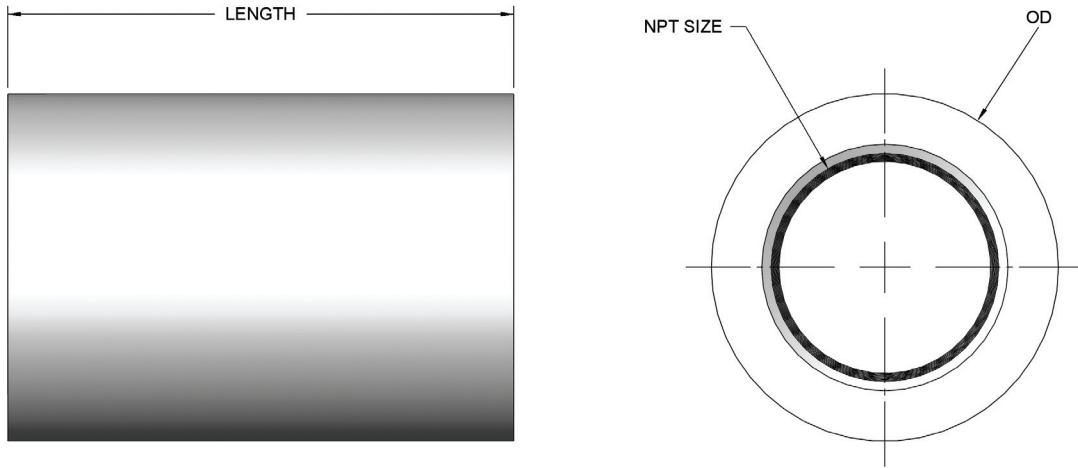
- ◆ **APPLICATIONS:**
  - Protects metal heat exchangers and plating processes from stray voltage or current.
  - Prevents seizing between metal lines.
  - Dampens vibrations.
- ◆ **RUGGED CONSTRUCTION:** Fluoropolymer (PTFE) body with stainless steel or titanium retainer ring for added structural integrity.
- ◆ **CAPACITIES:**
  - Sizes from 1/2-inch FNPT to 2-inch FNPT.
  - Maximum steam service: 50 PSIG.
- ◆ **OPTIONS AVAILABLE** (consult factory):
  - Titanium retainer rings.
  - Special lengths.
  - Metric sizes.

Your Distributor:

80 Metcalfe Street • Buffalo, NY 14206 U.S.A. • **US/CN: 800-777-2436** • 716-856-2300 • Fax: 716-856-7115

www.cdibuffalo.com • E-mail: sales@cdibuffalo.com

## DIMENSIONS



Model	Length	NPT Size	OD (S)	OD (T)
IX-5*	2.00" (51mm)	1/2"	1.31"	1.25"
IX-3*	2.00" (51mm)	3/4"	1.31"	1.50"
IX-1*	2.50" (64mm)	1"	1.88"	2.00"
IX-1-1/4*	2.50" (64mm)	1-1/4"	2.38"	2.00"
IX-1-1/2*	2.50" (64mm)	1-1/2"	2.25"	3.00"
IX-2*	2.50" (64mm)	2"	3.00"	3.00"

\* Material

## INSULATOR COIL ORDERING INFORMATION

Series	Size (NPT)	Collar Material
IX	-5 = 1/2" -3 = 3/4" -1 = 1" -1-1/4 = 1 1/4" -1-1/2 = 1 1/2" -2 = 2"	-S = stainless steel -T = titanium

1 inch = 25.4mm

### ORDERING EXAMPLE:

IX-3-S

IX series insulator, 2" length, 3/4" NPT size, stainless steel collar.

Your Distributor:

80 Metcalfe Street • Buffalo, NY 14206 U.S.A. • US/CN: 800-777-2436 • 716-856-2300 • Fax: 716-856-7115

www.cdibuffalo.com • E-mail: sales@cdibuffalo.com