



HXT SERIES, FLUOROPOLYMER (PTFE) SCREW PLUG HEATERS					
WATTS	VOLTS	OVERALL LENGTH In./(mm)	PIPE THREAD	MODEL NUMBER	SHIP WGT. Lbs./(kg)
1000	120	9	2-1/2	HXT1109	9
	240	(230)		HXT1209	(4)
2000	120	14	2-1/2	HXT2114	12
	240	(355)		HXT2214	(5.5)
	480			HXT2414	
3000	240	19	2-1/2	HXT3219	15
	480	(485)		HXT3419	(7)
4000	240	26	2-1/2	HXT4226	17
	480	(660)		HXT4426	(8)
5000	240	30	2-1/2	HXT5230	20
	480	(760)		HXT5430	(9)
6000	240	34	2-1/2	HXT6234	23
	480	(865)		HXT6434	(10.5)

Product Features and Benefits:

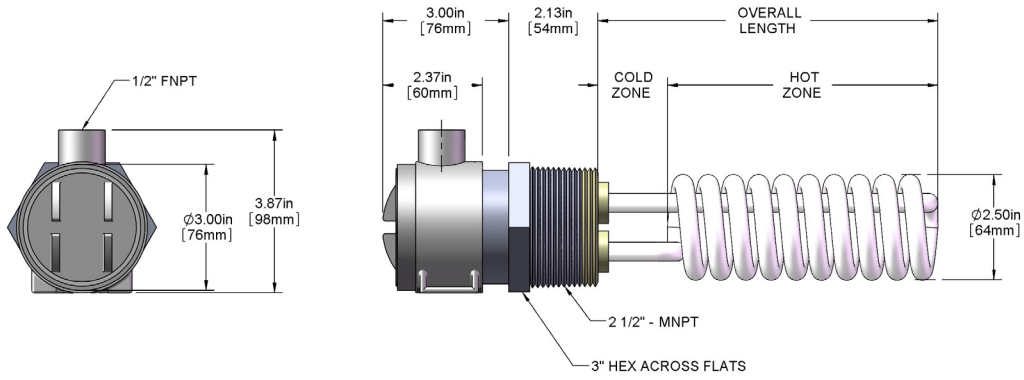
- ◆ **SUPERIOR CHEMICAL RESISTANCE:** Inert to most aqueous acid, alkaline, anodizing and plating solutions. Check solution recommendation chart or with your chemical supplier for proper sheath material selection.
 - ◆ **RUGGED CONSTRUCTION:** Heavy wall fluoropolymer (PTFE) covered stainless steel sheath and PVDF screw plug reduces permeation and eliminates the need for gas purge systems. Guaranteed 100% pinhole free.
 - ◆ **OUTSTANDING PERFORMANCE:** Low watt densities of 10 watts per square inch (1.5w/cm²) ensure long service life.
 - ◆ **CORROSION RESISTANT HEAD:** Vapor tight, flame retardant polypropylene terminal enclosure with 3-foot (.9m) flexible PVC liquid tight conduit.
 - ◆ **SAFETY FEATURES:** Grounded internal metal heating element
 - ◆ **CERTIFICATIONS:** CE.
 - ◆ **SIZES:** 1,000 watts to 6,000 watts.
 - ◆ **VOLTAGES:** 120, 240 or 480 volts. 208, 380, 415, 600 and other voltages available. Single phase only.
 - ◆ **OPTIONS AVAILABLE** (consult factory):
 - Special configurations and lengths.
 - Thermowells.
 - Integral thermostats.
 - Lower watt densities for highly viscous solutions.
 - Temperature and level controls sized to match the heater.
- NOTE:** Intended for horizontal installation only.

Your Distributor:

80 Metcalfe Street • Buffalo, NY 14206 U.S.A. • **US/CN: 800-777-2436** • 716-856-2300 • Fax: 716-856-7115

www.cdibuffalo.com • E-mail: sales@cdibuffalo.com

DIMENSIONS



FLUOROPOLYMER SCREW PLUG HEATER ORDERING INFORMATION

Series	Wattage	Voltage	Length (in.)	Options	Wire and Conduit Length
<p>1 = 1000</p> <p>2 = 2000</p> <p>3 = 3000</p> <p>4 = 4000</p> <p>5 = 5000</p> <p>6 = 6000</p>	<p>1 = 120</p> <p>2 = 240</p> <p>3 = 380</p> <p>4 = 480</p> <p>5 = 415</p> <p>6 = 600</p> <p>7 = 400</p> <p>8 = 208</p> <p>9 = 220</p> <p>0 = 200</p>	<p>9 = 1kW</p> <p>14 = 2kW</p> <p>19 = 3kW</p> <p>26 = 4kW</p> <p>30 = 5kW</p> <p>34 = 6kW</p> <p>specify (custom lengths available)</p>	<p>Single phase power only</p> <p>-P3 = J type thermocouple</p> <p>no designator = 36" length standard</p> <p>specify variations from standard</p> <p>Ex: -X84 = 84"</p> <p>1 inch = 25.4mm</p>	<p>HXT = PTFE sheathed</p> <p>HST = 304 stainless steel</p>	

ORDERING EXAMPLE:

HXT3419

Fluoropolymer, 3000 watts, 480 volts, 19" overall length.

Your Distributor:

80 Metcalfe Street • Buffalo, NY 14206 U.S.A. • **US/CN: 800-777-2436** • 716-856-2300 • Fax: 716-856-7115
 www.cdibuffalo.com • E-mail: sales@cdibuffalo.com