

HXO SERIES, FLUOROPOLYMER (PTFE) HEATERS								
WATTS	VOLTS	HEATER PAD		HOT ZONE	OVERALL LENGTH	MAX. COLD ZONE	MODEL NUMBER	SHIP WGT.
		WIDTH	LENGTH					
500	120	5	6	8	11	36	HXO.5105-06-11-**	6
	240	(125)	(155)	(205)	(280)	(915)	HXO.5205-06-11-**	(2.5)
1000	120	6	6	8	11	36	HXO1106-06-11-**	7
	240	(155)	(155)	(205)	(280)	(915)	HXO1206-06-11-**	(3.5)
2000	120	6	10	12	17	35	HXO2106-10-17-**	8
	240	(155)	(255)	(305)	(430)	(890)	HXO2206-10-17-**	(4)
	480						HXO2406-10-17-**	
3000	240	6	12	14	23	35	HXO3206-12-23-**	13
	480	(155)	(305)	(365)	(585)	(890)	HXO3406-12-23-**	(6)
4000	240	6	19	21	29	35	HXO4206-19-29-**	15
	480	(155)	(485)	(545)	(735)	(890)	HXO4406-19-29-**	(7)
5000	240	6	20	22	35	31	HXO5206-20-35-**	18
	480	(155)	(510)	(560)	(890)	(790)	HXO5406-20-35-**	(8)
6000	240	8	22	24	40	25	HXO6208-22-40-**	22
	480	(205)	(560)	(610)	(1015)	(635)	HXO6408-22-40-**	(10)
8000	240	8	36	38	47	28	2HXO8208-36-47-**	25
	480	(205)	(915)	(980)	(1195)	(710)	2HXO8408-36-47-**	(11.5)
9000	240	8	40	42	54	30	2HXO9208-40-54-**	28
	480	(205)	(1015)	(1085)	(1370)	(760)	2HXO9408-40-54-**	(13)

Single phase only.

## Product Features and Benefits:

- ◆ **SUPERIOR CHEMICAL RESISTANCE:** Inert to most aqueous acid, alkaline, anodizing and pickling solutions up to 212°F (100°C).
- ◆ **RUGGED CONSTRUCTION:** Heavy wall fluoropolymer (PTFE) covered stainless steel element reduces permeation and eliminates the need for gas purge systems. Guaranteed 100% pinhole free.
- ◆ **OUTSTANDING PERFORMANCE:** Low watt density design (10 watts/square inch, 1.5w/cm<sup>2</sup>) for long service life.
- ◆ **CORROSION RESISTANT HEAD:** Vapor resistant, flame retardant polypropylene terminal enclosure with 3-foot (.9m) flexible PVC liquid tight conduit.
- ◆ **SAFETY FEATURES:**
  - Grounded internal metal element.
  - Thermal protector built in. Replaceable P1 protector standard for solutions up to 180°F (82°C).
  - Non-floating construction.
- ◆ **CERTIFICATIONS:** UL listed to U.S. and Canadian safety requirements, and CE.
- ◆ **SIZES:** 500 watts to 9,000 watts.
- ◆ **VOLTAGES:** 120 to 600 volts. Single phase only.
- ◆ **OPTIONS AVAILABLE (consult factory):**
  - Replaceable thermal protectors:
    - P4: for solutions from 180°F (82°C) to 230°F (110°C).
  - Resettable thermal protectors:
    - P2: bi-metal switch for solutions up to 180°F (82°C).
    - P8: type-J thermocouple for solutions from 180°F (82°C) to 230°F (110°C).
    - P3: type-J thermocouple for solutions from 230°F (110°C) to 300°F (150°C).
  - Longer vertical lengths (cold zones).
  - Polypropylene guards: recommended for applications up to 180°F (82°C), sold separately.
  - Fluoropolymer (PTFE) guards: recommended for chromic acid or solutions over 180°F (82°C), sold separately.
  - Special configurations.
  - Longer wire and conduit lengths.
  - Flexible continuous fluoropolymer leads (P3 protector only).
  - Lower watt densities for highly viscous solutions and technical acids.
  - Temperature and level controls sized to match the heater.

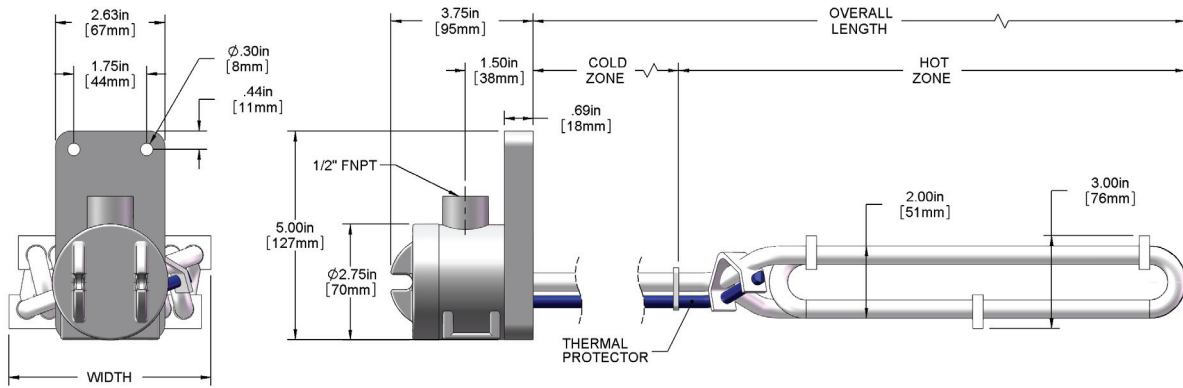
**NOTE:** Hot zone extends 2" (51mm) above the heater pad length.

Your Distributor:

80 Metcalfe Street • Buffalo, NY 14206 U.S.A. • US/CN: 800-777-2436 • 716-856-2300 • Fax: 716-856-7115

www.cdibuffalo.com • E-mail: sales@cdibuffalo.com

## DIMENSIONS (up to 6 kW)



## SINGLE ELEMENT OVER THE SIDE FLUOROPOLYMER (PTFE) HEATER ORDERING INFORMATION

Series	Wattage	Voltage	Width	Heater Pad Length	Overall Length	Type of Protector	Wire and Conduit Length
	.5 = 500 1 = 1000 2 = 2000 3 = 3000 4 = 4000 5 = 5000 6 = 6000 8 = 8000 9 = 9000	1 = 120 2 = 240 3 = 380 4 = 480 5 = 415 6 = 600 7 = 400 8 = 208 9 = 220 0 = 200	6"	-06 = .5kW -06 = 1kW -10 = 2kW -12 = 3kW -19 = 4kW -20 = 5kW -22 = 6kW -36 = 8kW -40 = 9kW	35"	-P1 (std) -P4	36" length standard (no designator) specify variations from standard Ex: -X84 = 84"
	HXO = PTFE HSO = 304 stainless steel	05 = .5kW 06 = 1kW 06 = 2W 06 = 3kW 06 = 4kW 06 = 5kW 08 = 6kW 08 = 8kW 08 = 9kW		-11 = .5kW -11 = 1kW -17 = 2W -23 = 3kW -29 = 4kW -35 = 5kW -40 = 6kW -47 = 8kW -54 = 9kW specify custom lengths, not to exceed tank length		<b>Replaceable Protector</b> -P1 (std) for solutions up to 180°F -P4 for 180° - 230°F solutions <b>Resettable Protector</b> (additional control components required) -P2 for solutions up to 180°F -P8 for 180° - 230°F solutions -P3 for 230° - 300°F solutions	

1 inch = 25.4mm

### **ORDERING EXAMPLE:**

HXO5406-20-35-P1-X50

Over the side fluoropolymer heater, 5000 watts, 480 volt, single phase, 6" wide,  
20" hot zone, 35" overall length, P1 thermal protector, 50 wire and conduit

Your Distributor:

80 Metcalfe Street • Buffalo, NY 14206 U.S.A. • US/CN: 800-777-2436 • 716-856-2300 • Fax: 716-856-7115

www.cdibuffalo.com • E-mail: sales@cdibuffalo.com