

HXF SERIES, LOW PROFILE FLUOROPOLYMER (PTFE) HEATERS							
WATTS	VOLTS	HOT	OVERALL	DIA.	MAX.	MODEL	SHIP
		ZONE	LENGTH		COLD ZONE		
		ln./(mm)	ln./(mm)	ln./(mm)	ln./(mm)		Lbs./(kg)
500	120	6	14	5	36	HXF.5105-14-**	6
	240	(155)	(355)	(125)	(915)	HXF.5205-14-**	(2.5)
1000	120	7	14	6	36	HXF1106-14-**	7
	240	(180)	(355)	(155)	(915)	HXF1206-14-**	(3.5)
2000	120	9	17	8	35	HXF2108-17-**	8
	240	(230)	(430)	(205)	(890)	HXF2208-17-**	(4)
3000	480					HXF2408-17-**	
	240	10	23	9	35	HXF3209-23-**	13
4000	480	(255)	(585)	(230)	(890)	HXF3409-23-**	(6)
	240	12	29	11	35	HXF4211-29-**	15
5000	480	(305)	(735)	(280)	(890)	HXF4411-29-**	(7)
	240	13	35	12	31	HXF5212-35-**	18
6000	480	(330)	(890)	(305)	(790)	HXF5412-35-**	(8)
	240	14	40	13	25	HXF6213-40-**	22
	480	(355)	(1015)	(330)	(635)	HXF6413-40-**	(10)

Single phase only. This configuration is not recommended for electroless chemistry or phosphoric acid; please use DAS series heater for phosphate applications.

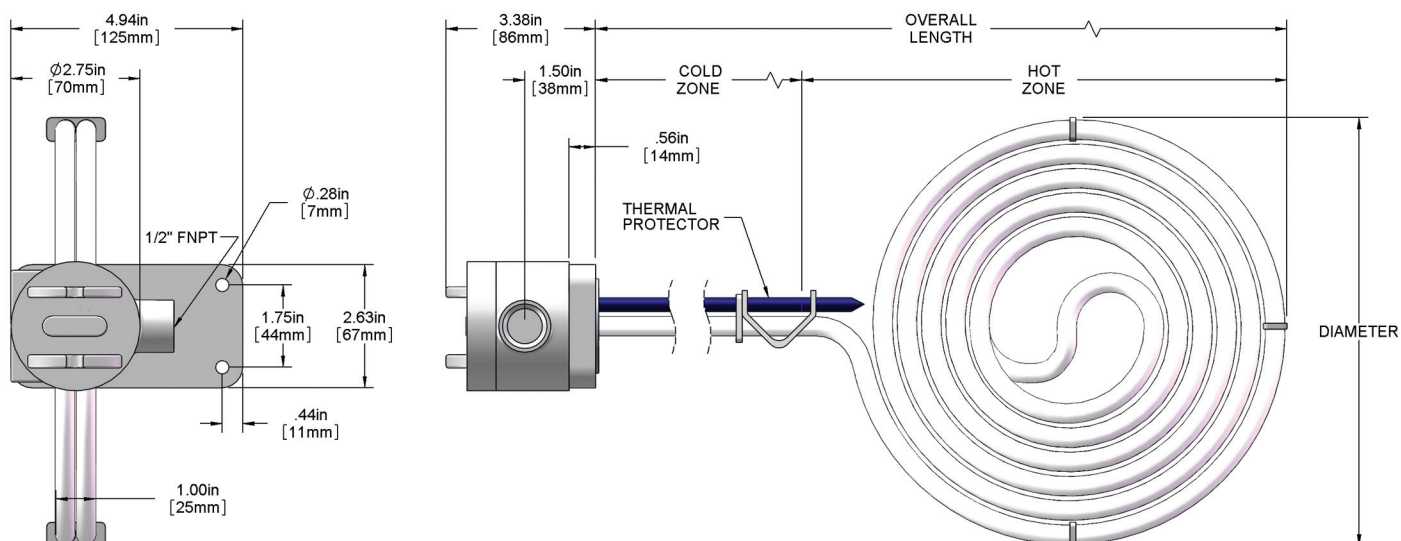
Product Features and Benefits:

- ◆ **SUPERIOR CHEMICAL RESISTANCE:** Inert to most aqueous acid, alkaline, anodizing and pickling solutions up to 212°F (100°C).
- ◆ **RUGGED CONSTRUCTION:** Heavy wall fluoropolymer (PTFE) covered stainless steel element reduces permeation and eliminates the need for gas purge systems. Guaranteed 100% pinhole free.
- ◆ **OUTSTANDING PERFORMANCE:** Low watt density design (10 watts/square inch, 1.5w/cm²) for long service life. Flat, low profile design saves space in the tank. (This configuration not recommended for electroless chemistries or phosphoric acid.)
- ◆ **CORROSION RESISTANT HEAD:** Vapor tight, flame retardant polypropylene terminal enclosure with 3-foot (.9m) flexible PVC liquid tight conduit.
- ◆ **SAFETY FEATURES:**
 - Grounded internal metal element.
 - Thermal protector built in. Replaceable P1 fuse standard for solutions up to 190°F (88°C).
 - Non-floating construction.
- ◆ **CERTIFICATIONS:** UL, CSA, and CE.
- ◆ **SIZES:** 500 watts to 6,000 watts.
- ◆ **VOLTAGES:** 120, 240 or 480 volts. 208, 380, 415, 600 (CSA only) and other voltages available. Single phase only.
- ◆ **OPTIONS AVAILABLE (consult factory):**
 - Replaceable thermal protectors:
 - P4: for solutions from 190°F (88°C) to 220°F (104°C).
 - Resettable thermal protectors:
 - P2: bi-metal switch for solutions up to 190°F (88°C).
 - P8: type-J thermocouple for solutions from 190°F (88°C) to 210°F (99°C).
 - P3: type-J thermocouple for solutions from 210°F (99°C) to 250°F (121°C).
 - Longer vertical lengths (cold zones).
 - Polypropylene guards: recommended for applications up to 180°F (82°C) (sold separately).
 - Fluoropolymer (PTFE) guards: recommended for chromic acid or solutions over 180°F (82°C) (sold separately).
 - Special configurations.
 - Longer wire and conduit lengths.
 - Flexible continuous fluoropolymer leads (P3 protector only).
 - Lower watt densities for highly viscous solutions and technical acids.
 - Temperature and level controls sized to match the heater.

Your Distributor:

80 Metcalfe Street • Buffalo, NY 14206 U.S.A. • **US/CN: 800-777-2436** • 716-856-2300 • Fax: 716-856-7115
www.cdibuffalo.com • E-mail: sales@cdibuffalo.com

DIMENSIONS



LOW PROFILE FLUOROPOLYMER (PTFE) HEATER ORDERING INFORMATION

Series	Wattage	Voltage	Diameter (in.)	Overall Length (in.)	Type of Fuse	Wire and Conduit Length																
HXF = PTFE HSF = 304 Stainless Steel	.5 = 500	1 = 120	05 = .5kW	-14 = .5kW	<table border="1" style="width: 100%; border-collapse: collapse;"> <tr> <td colspan="2" style="text-align: center;">Replaceable Fuse</td> </tr> <tr> <td style="text-align: center;">-P1 (std)</td> <td>for solutions up to 190°F</td> </tr> <tr> <td style="text-align: center;">-P4</td> <td>for 190° - 220°F solutions</td> </tr> <tr> <td colspan="2" style="text-align: center;">Resettable Fuse</td> </tr> <tr> <td colspan="2" style="text-align: center;">(additional control components required)</td> </tr> <tr> <td style="text-align: center;">-P2</td> <td>for solutions up to 190°F</td> </tr> <tr> <td style="text-align: center;">-P8</td> <td>for 190° - 210°F solutions</td> </tr> <tr> <td style="text-align: center;">-P3</td> <td>for 210° - 250°F solutions</td> </tr> </table>	Replaceable Fuse		-P1 (std)	for solutions up to 190°F	-P4	for 190° - 220°F solutions	Resettable Fuse		(additional control components required)		-P2	for solutions up to 190°F	-P8	for 190° - 210°F solutions	-P3	for 210° - 250°F solutions	36" length standard (no designator) specify variations from standard Ex: -X84 = 84"
	Replaceable Fuse																					
	-P1 (std)	for solutions up to 190°F																				
	-P4	for 190° - 220°F solutions																				
	Resettable Fuse																					
	(additional control components required)																					
	-P2	for solutions up to 190°F																				
	-P8	for 190° - 210°F solutions																				
	-P3	for 210° - 250°F solutions																				
	1 = 1000	2 = 240	06 = 1kW	-14 = 1kW																		
	2 = 2000	3 = 380	08 = 2kW	-17 = 2kW																		
	3 = 3000	4 = 480	09 = 3kW	-23 = 3kW																		
	4 = 4000	5 = 415	11 = 4kW	-29 = 4kW																		
5 = 5000	6 = 600	12 = 5kW	-35 = 5kW																			
6 = 6000	7 = 400	13 = 6kW	-40 = 6kW																			
	8 = 208		specify custom lengths, not to exceed tank depth																			
	9 = 220																					
	0 = 200																					

1 inch = 25.4mm

ORDERING EXAMPLE:

HXF5412-35-P1-X50

Low profile fluoropolymer heater, 5000 watts, 480 volt, single phase, 12" diameter hot zone, 35" overall length, P1 thermal fuse, 50" wire and conduit

Your Distributor:

80 Metcalfe Street • Buffalo, NY 14206 U.S.A. • US/CN: 800-777-2436 • 716-856-2300 • Fax: 716-856-7115
www.cdibuffalo.com • E-mail: sales@cdibuffalo.com