



# FLO KING UNIVERSAL BRACKET

## EASY MOUNTING ... CORROSION RESISTANT!

■ **ELIMINATES CLAMPS, WIRE, SCREWS, AND OTHER MEANS OF SECURING FILTER SYSTEM TO TANK**

■ **WILL NOT CORRODE AND CONTAMINATE SOLUTION LIKE METAL CLAMPS**

■ **CAN BE MOUNTED ON EITHER SIDE OF PUMP BASE FOR ADDED VERSATILITY**

■ **TWO SIZES TO CHOOSE FROM ... 1" AND 3" (25 & 76 mm)**

■ **SLIDING ADJUSTMENT ENABLES MOUNTING ON MOST TANK LIPS**

■ **CONSTRUCTED OF CORROSION-RESISTANT, HEAVY-DUTY CPVC**

### Universal Bracket Extension

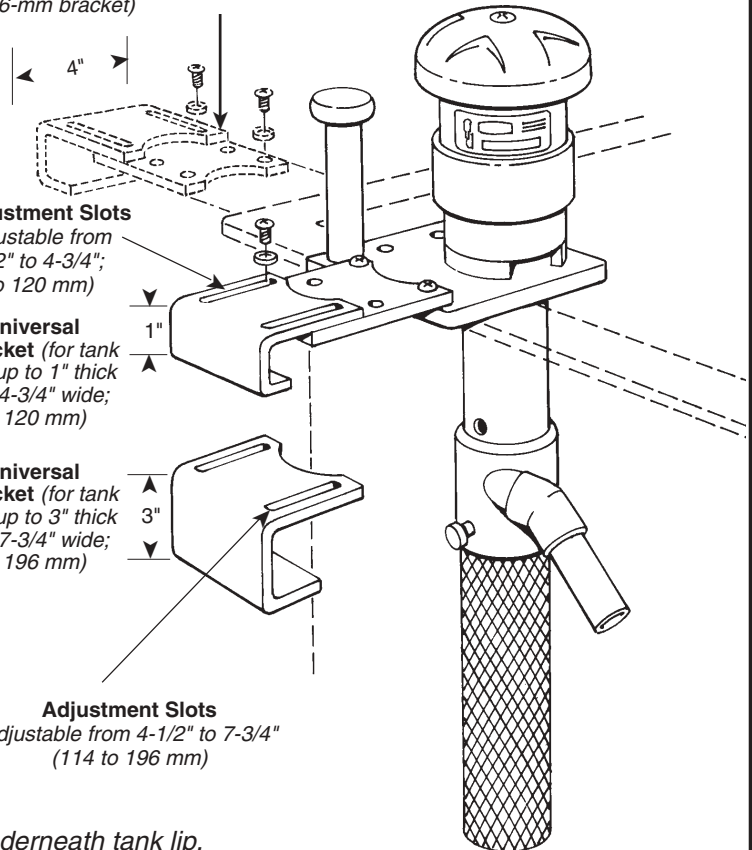
Accessory fastens to Universal Bracket to accommodate extra-wide tank lips. Opens up to 8-3/4" on 1" bracket ... up to 9-1/2" on 3" bracket (up to 222 mm on 25-mm bracket ... up to 240 mm on 76-mm bracket)

**Adjustment Slots**  
(Adjustable from 2-1/2" to 4-3/4"; 63 to 120 mm)

**1" Universal Bracket** (for tank lips up to 1" thick and 4-3/4" wide; 25 x 120 mm)

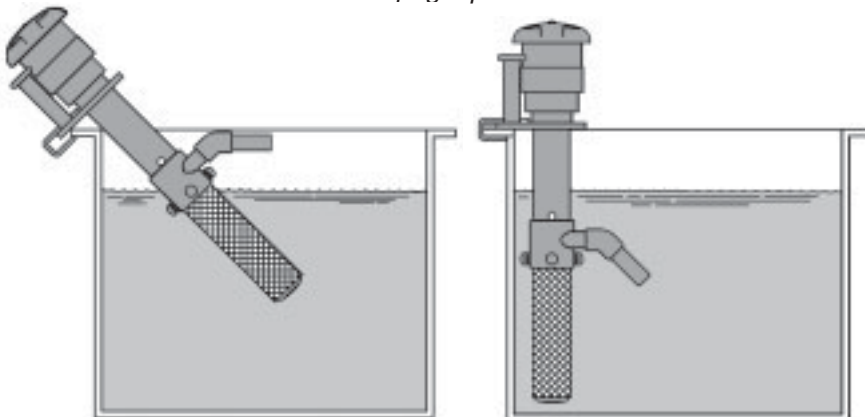
**3" Universal Bracket** (for tank lips up to 3" thick and 7-3/4" wide; 76 x 196 mm)

**Adjustment Slots**  
(Adjustable from 4-1/2" to 7-3/4" (114 to 196 mm))



### TO INSTALL ...

*Lean unit back, allowing bracket flange to lock underneath tank lip.  
Then move unit to upright position for secure mount .*



### BRACKET FACTS

- The 1" Universal Bracket is included in the purchase price of every BX1200 and BX650 filter system.
- The 3" Universal Bracket is standard equipment on the BX3000 and BX5000 filter systems, but can also be used with the BX1200 and BX650.
- Universal Brackets will work on tanks with no lip at all, including round tanks, drums and carboys.
- The Universal Bracket Extension can be used on the BX650, BX1200, BX3000 and BX5000 filter systems, and with either the 1" or 3" Universal Bracket.