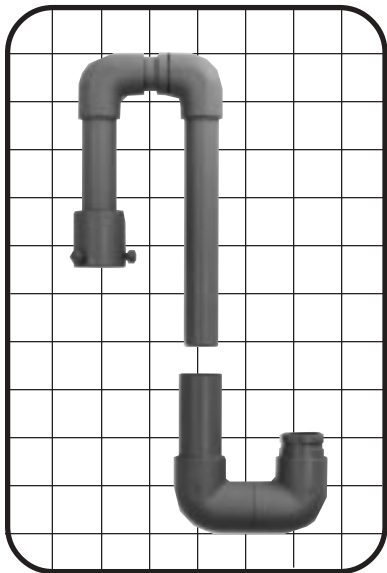


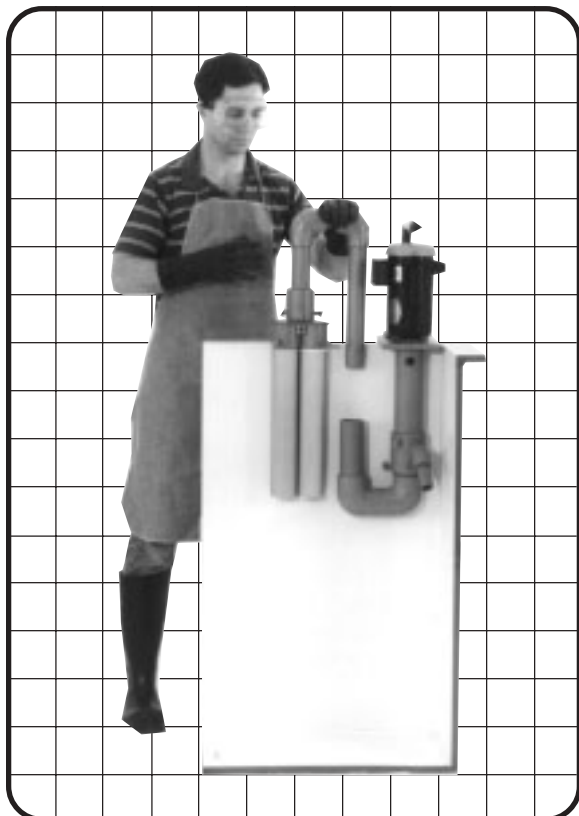


FLO KING SLIDE-IN FILTER CARTRIDGE ADAPTER™ (SIFCA™)

A PATENTED DEVICE



← 14" (36 cm) →



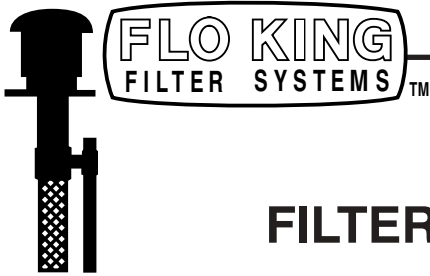
**CHANGE FILTER
CARTRIDGES WITHOUT
LEANING, LIFTING OR
OTHERWISE DISTURBING
YOUR FLO KING PUMP!**

- **INSTALLS IN SECONDS**
- **NO TOOLS REQUIRED**
- **JUST LIFT TO DISCONNECT ...
LOWER TO RECONNECT**
- **FITS ANY EXISTING OR NEW
650, 1200, 2500, 3000 OR 5000-
SERIES SYSTEM**
- **EXPEDITES FILTER CHANGES**
- **RELIEVES OPERATOR OF
UNNECESSARY LABOR**
- **ESPECIALLY RECOMMENDED
FOR HEAVIER, HIGHER-FLOW-
RATE UNITS**

SIFCA™ is compatible with your favorite **Flo King** attachments too! These include the Double Cartridge Holder, Quad Cartridge Holder, Carbon/Resin Canister, Carbon Bag, In-Tank Floating Skimmer, and Trash Trap! Available in CPVC, polypropylene, stainless steel, and PVDF (Kynar).

Distributed By: ★ www.cdibuffalo.com ★ sales@cdibuffalo.com

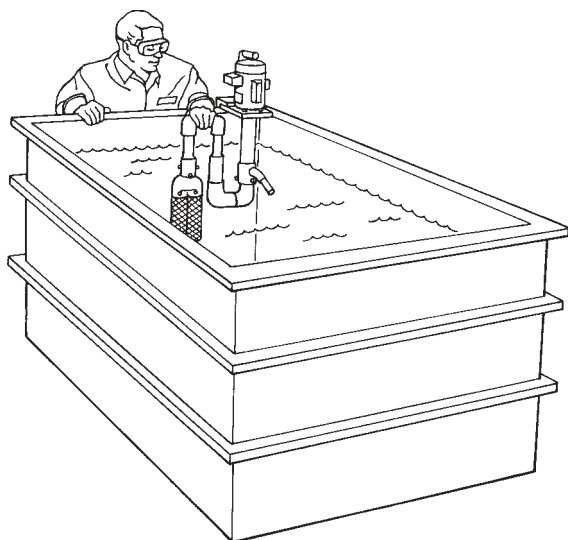
CDI Equipment Division • 80 Metcalfe Street, Buffalo, NY 14206 USA • 716.856.2300 Fax 716.856.7115



FLO KING SLIDE-IN FILTER CARTRIDGE ADAPTER™ (SIFCA™)

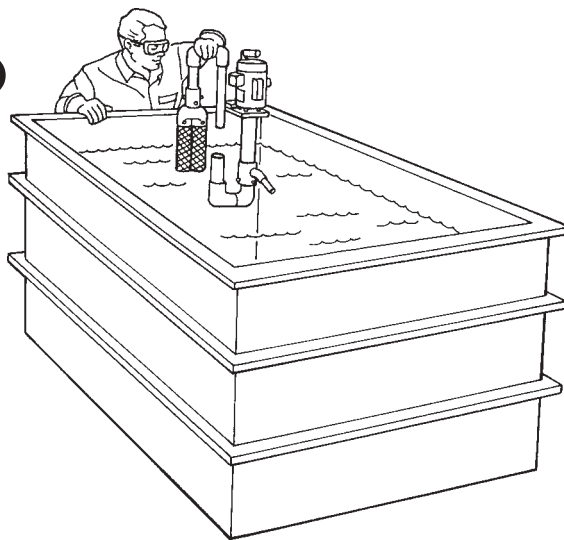
Accessory allows you to change filter cartridges without moving your Flo King pump from the tank!

1



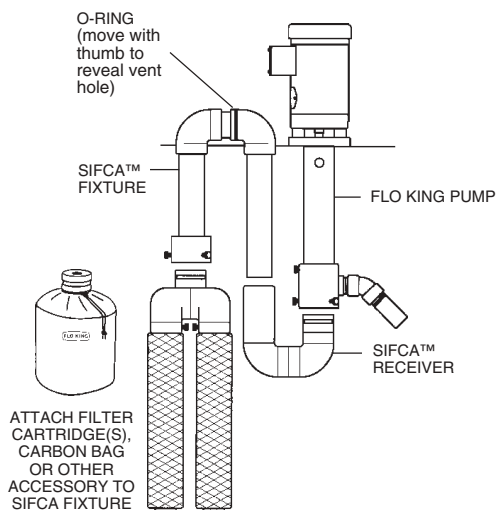
SIFCA™ attaches quickly and easily to any 650, 1200, 2500, 3000 or 5000-series system. When ordering, just specify **Flo King** pump model, pump body length, and preferred material of construction (example: "SIFCA-CPVC for BX3000-10").

2



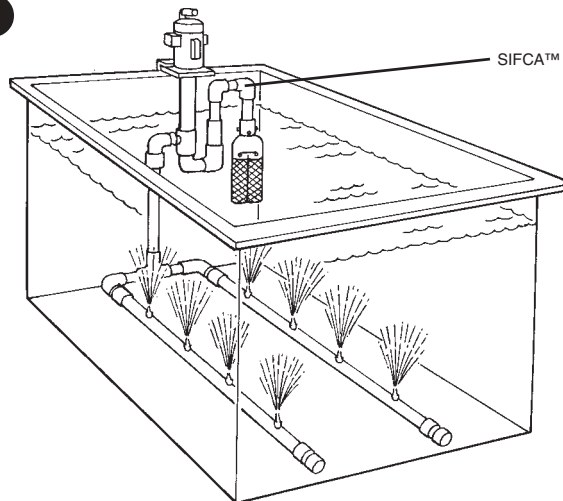
To change filters, just lift SIFCA™ and allow cartridges to drain in reservoir. Then install clean cartridges. While reattaching SIFCA to pump, move O-ring with thumb to reveal vent hole (see Illustration 3), releasing air from SIFCA™. Now turn pump on and resume filtration.

3



SIFCA™ assembles easily and can be used with standard **Flo King** accessories. *Receiver* can be mounted to pump in any direction for preferred positioning in tank. For filter or carbon changes, simply lift *fixture* and separate from *receiver*.

4



SIFCA™ is ideal in cases where pipe is connected to **Flo King** pump for special agitation effects (from bottom up, for instance, as shown above). Filter cartridges can be removed without disturbing pipe, pump, or tank components.