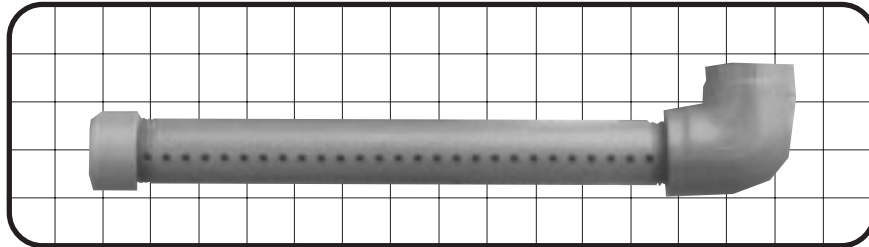




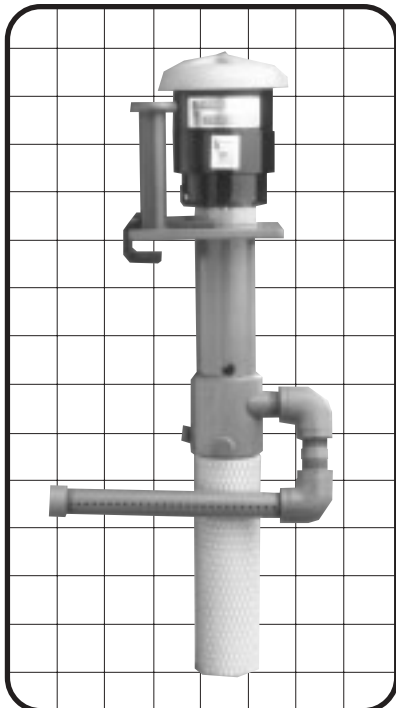
FLO KING KURT TUBE SPARGER ACCESSORY



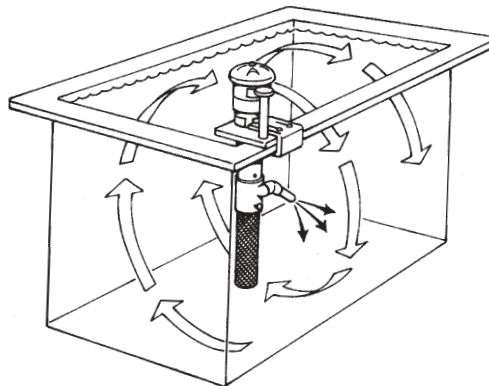
Kurt Tube is threaded at both ends and includes end cap and 90° elbow.

FOR DISPERSED UNIDIRECTIONAL FLOW

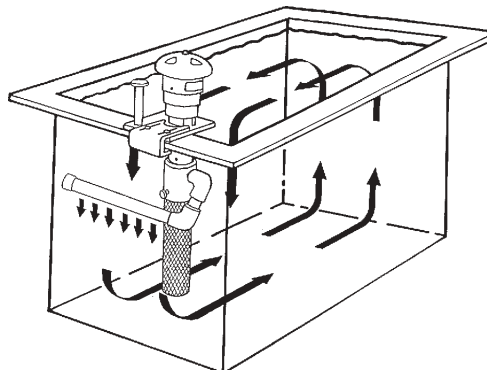
- Easily attaches to pump discharge port
- Can be used in horizontal or vertical mode
- Available in many lengths
- Just position and swivel toward desired work area
- Excellent for electronics, decorative plating and more
- Sizes for all Flo King units



One of many ways to configure Kurt Tube on pump. For other ideas, see reverse side.



Standard configuration with 45° High-Flow Elbow produces maximum agitation and counterflow motion.

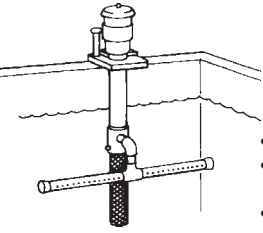
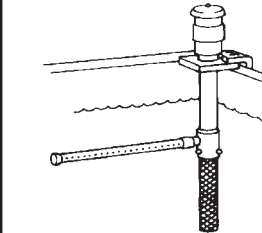
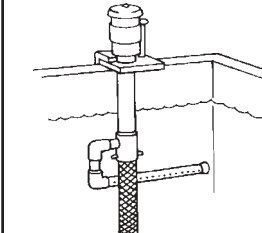
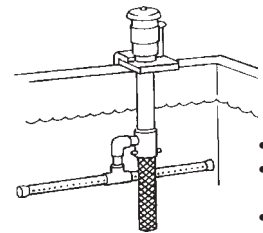
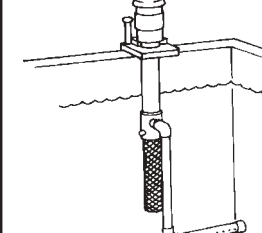
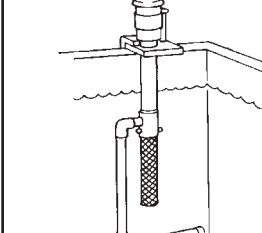
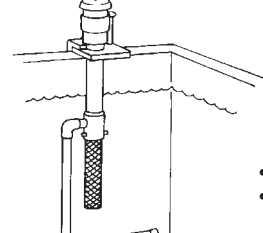
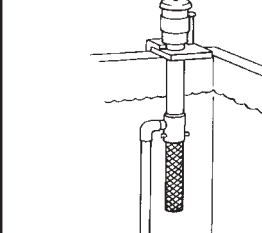
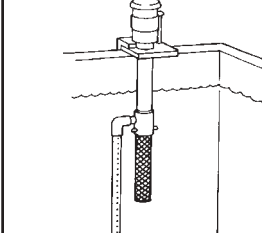
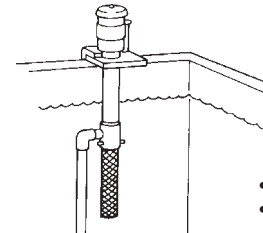
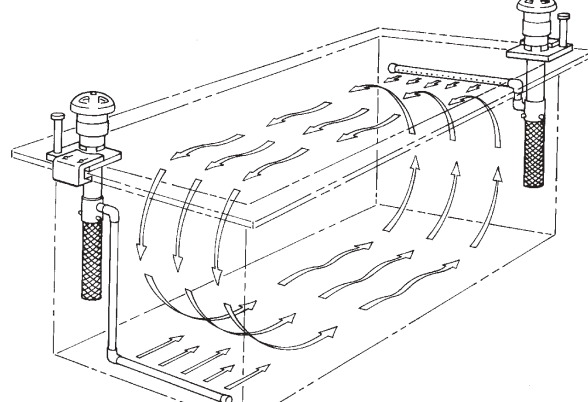


Kurt Tube disperses solution and produces front-to-back motion.



KURT TUBE CONFIGURATIONS

The Kurt Tube, a sparger pipe with strategically drilled holes, is an accessory used on the discharge port of the **FLO KING**. It provides front-to-back solution movement that is easily directed to the desired tank area or workpiece. The configurations shown below are for the 1200-series unit. Similar or identical configurations are achievable with other **FLO KING** models. The Kurt Tube is threaded at both ends and includes one 90° elbow and an end cap.

 <p>1</p> <ul style="list-style-type: none"> • 90° elbow • Threaded pipe extension • "T" fitting • Two Kurt Tubes • Two end caps 	 <p>2</p> <ul style="list-style-type: none"> • Coupling • Kurt Tube • End cap 	 <p>3</p> <ul style="list-style-type: none"> • Two 90° elbows • Threaded pipe extension • Kurt Tube • End cap
 <p>4</p> <ul style="list-style-type: none"> • 90° elbow • Threaded pipe extension • "T" fitting • Two Kurt Tubes • Two end caps 	 <p>5</p> <ul style="list-style-type: none"> • 90° elbow • Threaded pipe extension • "T" fitting • Two Kurt Tubes • Two end caps 	 <p>6</p> <ul style="list-style-type: none"> • 90° elbow • Threaded pipe extension • "T" fitting • Two Kurt Tubes • Two end caps
 <p>7</p> <ul style="list-style-type: none"> • Two 90° elbows • Threaded pipe extension • Kurt Tube • End cap 	 <p>8</p> <ul style="list-style-type: none"> • Two 90° elbows • Threaded pipe extension • Kurt Tube • End cap 	 <p>9</p> <ul style="list-style-type: none"> • 90° elbow • Kurt Tube • End cap
 <p>10</p> <ul style="list-style-type: none"> • Two 90° elbows • Threaded pipe extension • Kurt Tube • End cap 	 <p>11</p> <ul style="list-style-type: none"> • Two 90° elbows • Threaded pipe extension • Kurt Tube • End cap 	