



DLC SERIES, DIGITAL THERMOSTATS						
MODEL NUMBER	VOLTS	MAX. AMPS	TEMP. RANGE	SENSOR LENGTH Ft./m)	REPL. SENSOR P/N	SHIP WGT. Lbs./kg)
DLC16-1	120	16	-58-302°F (-50-150°C)	10' (3m)	DLC-10L	2 (1)
DLC16-2	240	16	-58-302°F (-50-150°C)	10' (3m)	DLC-10L	2 (1)

Product Features and Benefits:

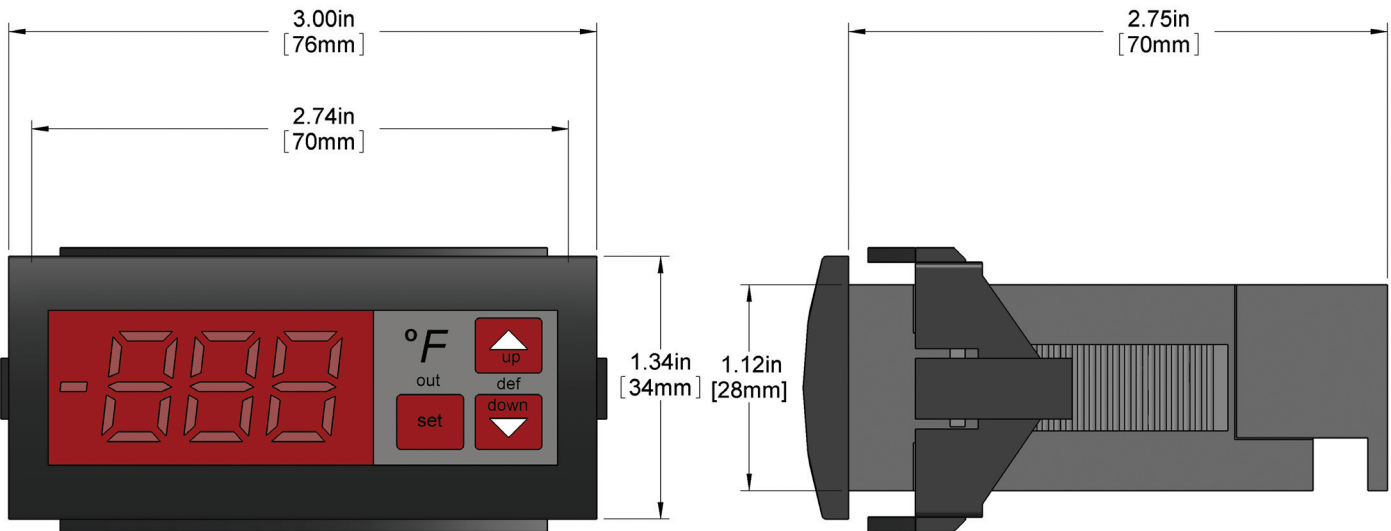
- ◆ **IMPROVES PROCESS CONTROL:** Large (.56" high), easy to read LED display. Provides precise control for consistent plating and etch rates in most aqueous processes.
- ◆ **TEMPERATURE SENSOR:** Fluoropolymer (FEP) covered 10-foot (3m), 1000-ohm thermistor sensor included standard with the control. Provides extended service in corrosive liquids and can be lengthened with ordinary copper hookup wire.
- ◆ **CORROSION RESISTANT ENCLOSURE:** Vapor tight, IP64, front panel protection, plastic enclosure with sealed tactile switches.
- ◆ **CERTIFICATIONS:** UL recognized and CE.
- ◆ **CAPACITIES:**
 - Single pole, double throw switch rated at 16-amps for either 120 or 240 volts.
 - Adjustable temperature range from -58°F (-50°C) to 302°F (150°C).
 - +/- 1° full span, single digit accuracy.
 - 14°F (-10°C) to 158°F (70°C) ambient temperature range.
 - 120 or 240 volt power supply: 50 or 60 Hz.
 - Single phase only.
- ◆ **SAFETY FEATURES:**
 - Non-volatile memory.
 - Sensor short and break protection.
 - Security code restricted menu.
- ◆ **OPTIONS AVAILABLE (consult factory):**
 - Combination controls available for three phase service and larger heater loads.
 - Direct acting output for cooling applications.
 - Celsius readout (must specify).
 - Adaptor panels for control retrofits.
 - Plastic enclosures for wall mounting.
 - 5 foot (1.5m) thermistor sensor.

Your Distributor:

80 Metcalfe Street • Buffalo, NY 14206 U.S.A. • **US/CN: 800-777-2436** • 716-856-2300 • Fax: 716-856-7115

www.cdibuffalo.com • E-mail: sales@cdibuffalo.com

DIMENSIONS



DLC CONTROL ORDERING INFORMATION

Series	Amperes	Voltage	Standard Options
DLC	16	-1 = 120 -2 = 240	-B = mounted in plastic box -5L = 5 foot (1.5m) thermistor sensor

ORDERING EXAMPLE:

DLC16-1-5
DLC series control, 16 amps, 120 VAC, with 5 foot sensor.

Your Distributor:

80 Metcalfe Street • Buffalo, NY 14206 U.S.A. • **US/CN: 800-777-2436** • 716-856-2300 • Fax: 716-856-7115
www.cdibuffalo.com • E-mail: sales@cdibuffalo.com