

High Volume Sealless Magnetic Pump

Flows to 255 gpm
Pressures to 136 ft. TDH



Model MT-2B

Features:

- Run dry capability
- Rugged Cantilever Design
- Chemical-Resistance
- Leak-Resistance and Sealless

Recommended Applications:

- Transferring
- High Volume Filtration
- Recirculation
- Mixing

Penguin high volume magnetic driven pumps are corrosion resistance to a wide range of chemical solutions including acids, alkalies, and caustics up to 220°F with PVDF material of construction. A unique rare earth magnet, Neodymium provides more powerful torque, a smaller and lighter weight pump and a run dry capability. The powerful impeller and drive magnet provide full torque, prevent slippage, and give instant start-up. There is no shaft seal, so there is no seal water, leakage, or squeal.

Penguin series MT are constructed of polypro-

pylene or PVDF barrier housing and impeller housing. The spindle and thrust ring are high purity ceramic. The O-ring is viton. There is also a high density carbon bearing and thrust ring. The carbon bushing has a flush groove for extra cooling. Properly placed deflector vanes allow for maximum, 83 feet of head and a minimum flow of 2 gpm. All motors are totally enclosed fan cooled. Single phase motors are wired 115V and supplied with a cord and plug. Three phase motors are shipped unwired.

Series MT

High Volume Sealless Magnetic Pump

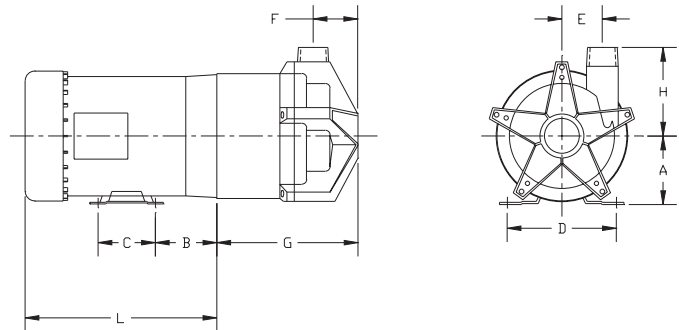
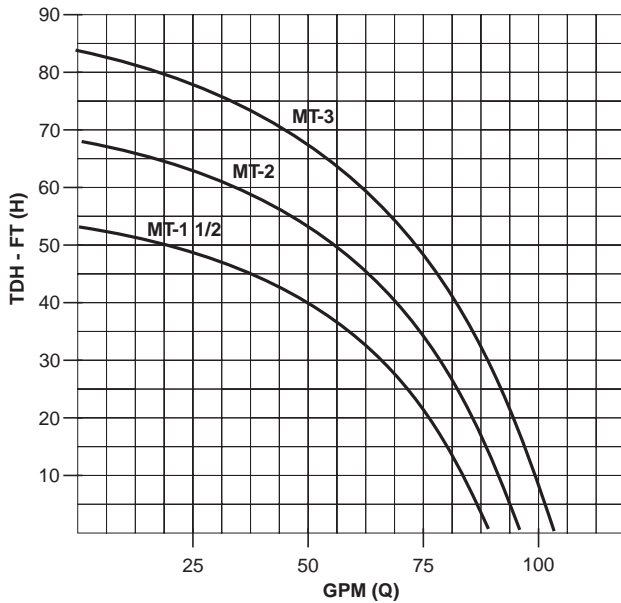
Specifications

Model	Max Flow (gpm)	Max Head (ft)	Suction	Discharge	Motor						Dimensions			
					HP	RPM	Volts	Hertz	Phase	Amps	Ht	Wth	Lth	Wt
MT-1 1/2	85	53	1 1/2 FPT	1 1/4 MPT	1 1/2	3450	208-230/460	50/60	3	4.9-4.6/2.3	9	81/2	18	41
MT-2	95	68			2					5.8-5.4/2.7			20	46
MT-3	105	83			3					7.8-7.4/3.7			58	

Dimensions

Model	A	B	C	D	E	F	G	H	J
MT-1 1/2	3 1/2	2 3/4	3	4 7/8	2 1/4	2 3/8	7 3/16	4 3/4	12 1/8
MT-2									
MT-3	4 1/2	3 1/2	5 1/2	7 1/2	2 9/16	2 1/2	10 1/2	5 3/4	13 15/16

Performance



Nomenclature

MT	2	C
High Volume Magnetic-Drive Pump	Horsepower 1 1/2=1 1/2 2=2 3=3	Material of Construction B = glass filled polypropylene C = carbon filled PVDF

Your Stocking Distributor:

Chemical Distributors, Inc. - Buffalo, NY - 800.777.2436 - Fax 716.856.7115

