

Series P

Penguin Vertical Pump

Flows from 9 to 175 GPM
Pressure to 166 Ft. TDH



Model P-7 1/2AK

Features:

- Choice of CPVC, PVDF, or Polypropylene
- Runs Dry Without Damage
- Self-Priming When Immersed
- No Metal Contact
- Chemical Resistant

Recommended Applications:

- Sump Pumping
- Transfer Pumping
- Recirculation Pumping
- Plating Solution Filtering
- Fume Scrubbing
- Waste Treatment

Penguin vertical immersible pumps are compact, portable, and self-priming when immersed. Simple in design and efficient in performance, this pump has only one moving part. Constructed completely of CPVC, polypropylene, or PVDF where in contact with the solution, this pump is suitable for pumping, agitating, filtering, or circulating acid and alkaline solutions (pH 0-14), abrasive fluids, and other corrosive solutions. Maximum temperature ratings are as follows: CPVC - 180°F, polypropylene - 150°F, and PVDF - 260°F. Because PVDF is ultra pure, it is recommended for use in high purity deionized water, HF, and liquids that must remain contamination free. The Penguin vertical pump has a rigid, solid stainless steel, one-piece rotor drive shaft covered with a two-piece sleeve and impeller. Titanium shafts are available as an option. Because of the unique double impeller design, this pump has no seals, no pump bearings, and no bushings, no wearing parts, and thus requires little or no

maintenance.

As a standard feature on our 1/4 HP and up, the Penguin vertical pump comes equipped with an air purge/vent screw assembly in the bottom of the motor housing. If utilized, this air purge requires 5 psi air creating a positive displacement, extending the life of the lower motor bearing.

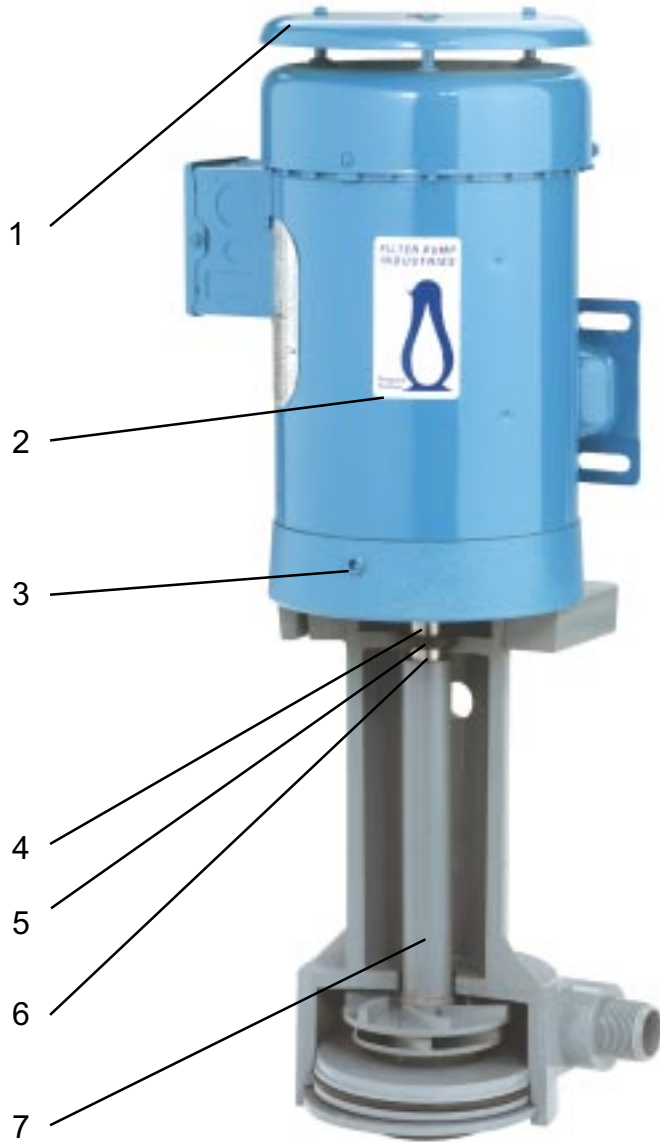
The Penguin vertical pump is equipped with a totally enclosed fan cooled motor with an oversized bearing set for easy replacement. Most motor housings come standard with epoxy coating for acid resistance. Single phase motors are equipped with a 6 foot cord and grounding plug. Three phase motors are shipped unwired.

Penguin vertical pumps are versatile, easy to install, and require a minimal amount of tank space, thus saving valuable floor space. They can be easily moved from tank to tank, with mounting on the tank flange or if not permitting on the outside of the tank.

Series P

Penguin Vertical Pump

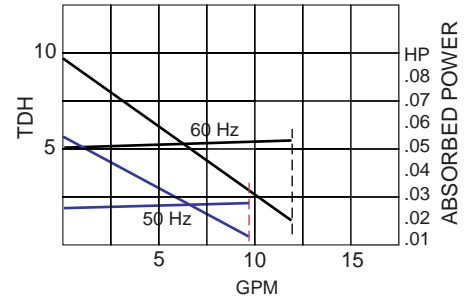
Penguin Design Features On Most Models



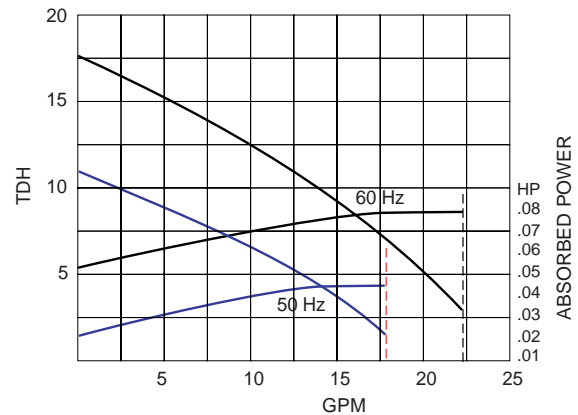
1. Epoxy Motor and Drip Cover
2. Explosion-Proof/Air-Driven Motor Available(P-1/2 - P-7 1/2)
3. Air Purge/Vent Screw Assembly
4. One-Piece Rotor Shaft Assembly
5. Viton Lip Seal/Fume Barrier Assembly
6. Titanium Shaft Available (P-1/2 - P-7 1/2)
7. Bearing-Free

Performance Charts

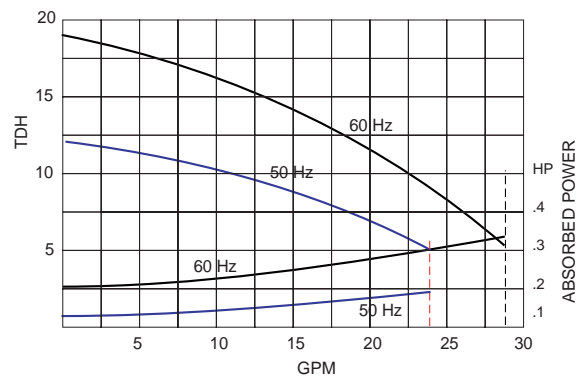
P-1/15



P-1/6



P-1/4

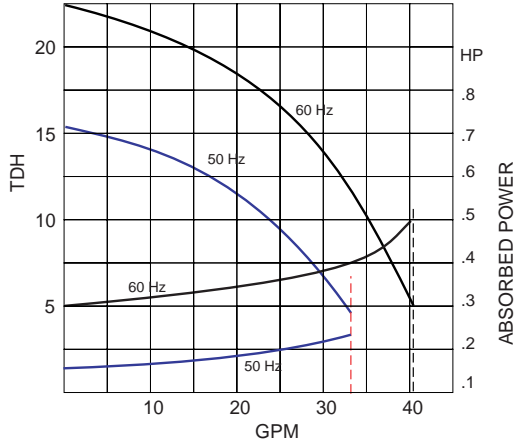


Series P

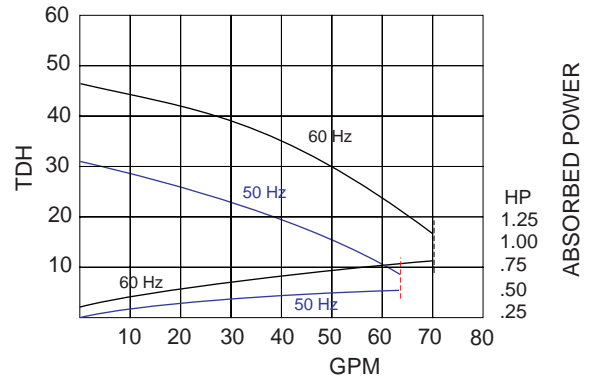
Penguin Vertical Pump

Performance Charts

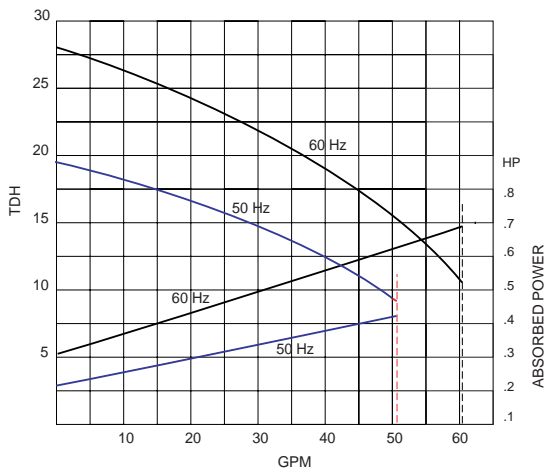
P-1/2



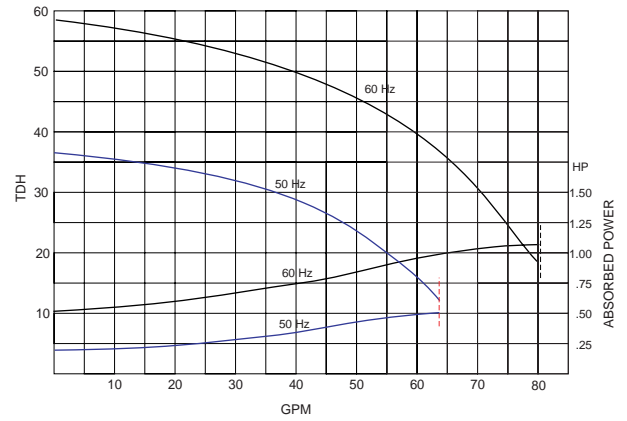
P-3/4-HP



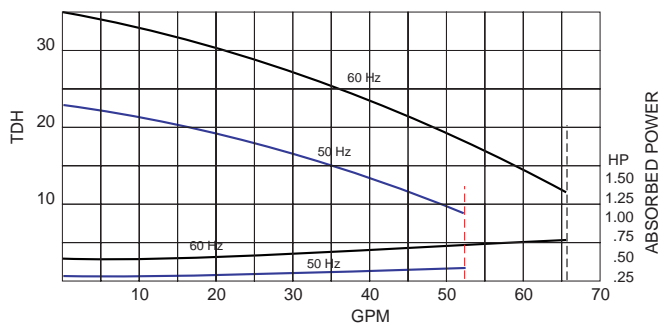
P-3/4



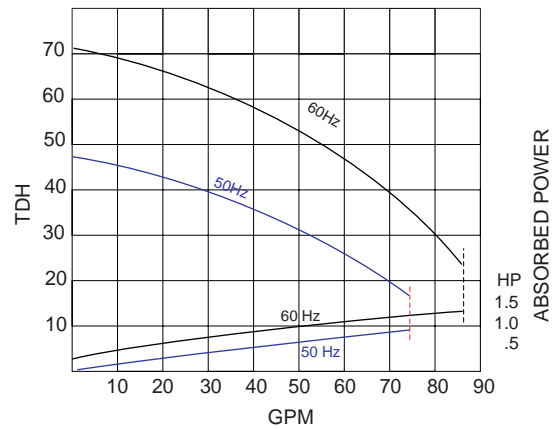
P-1



P-1/2-HP



P-1 1/2

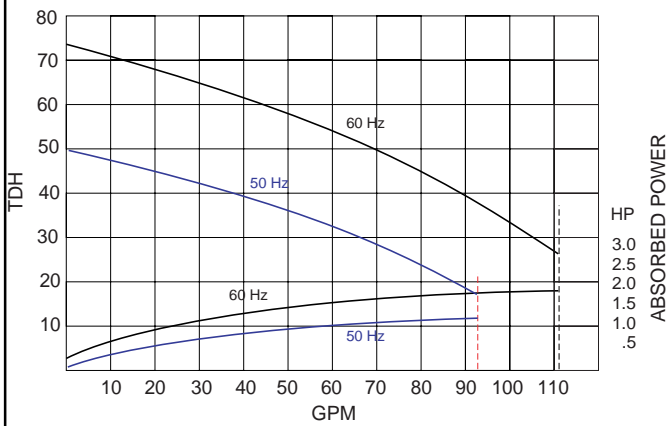


Series P

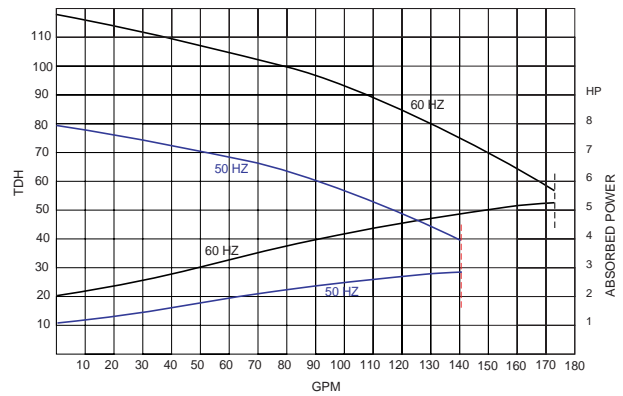
Penguin Vertical Pump

Performance Charts

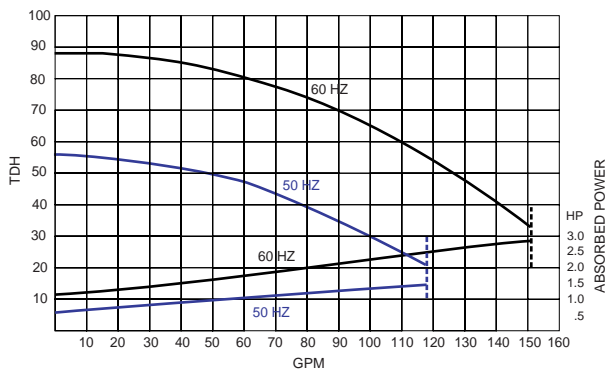
P-2



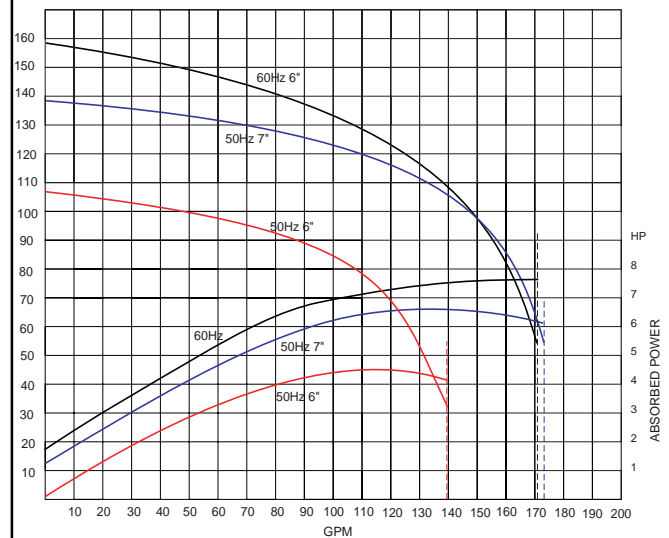
P-5



P-3



P-7 1/2

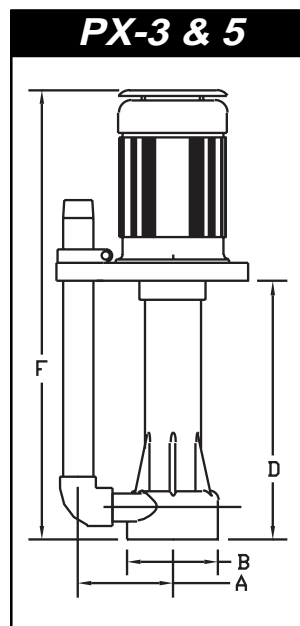
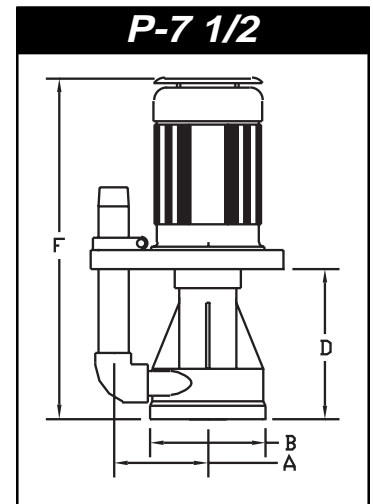
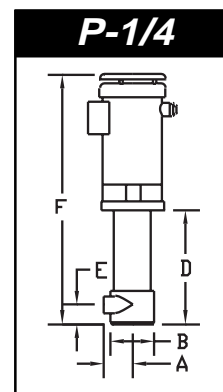
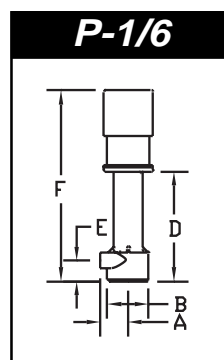
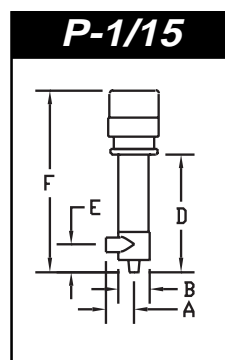
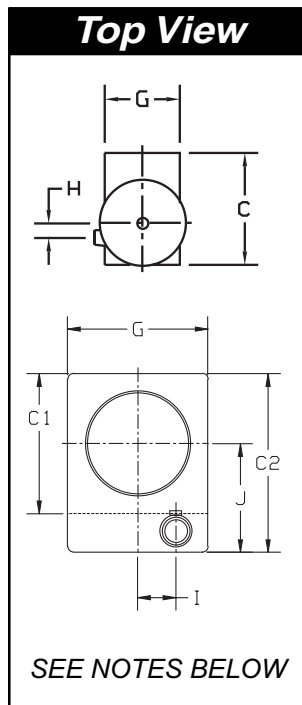
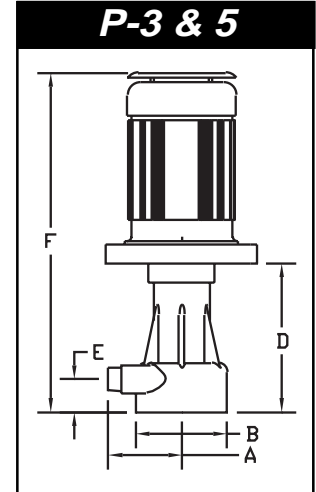
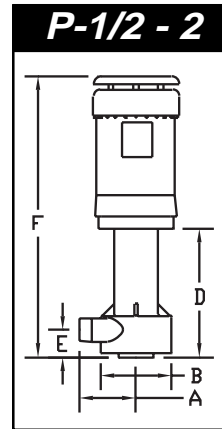


Series P

Penguin Vertical Pump

Dimensions									
Model	A	B	C	D	E	F	G	H	
P-1/15	2 1/2	2 1/2	5 3/4	9 3/8	2 3/8	14 3/8	3 3/4	5/8	
P-1/6	2 1/4	3 1/4	6 1/2	8 7/8	1 1/2		4	1	
P-1/4		3 1/2	8	9 3/8		19 5/8	5	1 1/8	
P-1/2	3 3/4	3 3/4	9 1/4	10 3/4	1 3/4	23 1/4	6 1/2	1 1/4	
P-1/2HP	4 1/2	5 1/2		10 3/8	2	22 5/8	6	1 5/8	
P-3/4	3 3/4	3 3/4		10 3/4	1 3/4	23 1/4	6 1/2	1 1/4	
P-3/4HP									
P-1	4 1/2	5 1/2		10 3/8	2	22 5/8	6	1 5/8	
P-1 1/2						23 3/4			
P-2									
P-3*	6	7	12	12 1/2	3	28 1/4	12	2 1/8	
P-5*									
P-7 1/2	5 1/2	5	15 3/10	12	2 5/8	28 3/4		3 1/8	

* Add 8 1/2" to D and F for PX Models



Notes:

- 1) P-1/15, P-1/6 and P-1/4 discharge is FPT
- 2) P-1/2HP and P-3/4HP discharge is MPT. Inlet is 1 1/2 FPT.
- 3) C₁ - P-3, P-5 C₂ - 7 1/2
- 4) P-7 1/2 Only - I = 3 1/4" and J = 7 1/2"

Extended versions of our P-3A and P-5A are now available. Our new PX-3A and PX-5A are 8 1/2" longer. This puts the discharge 18" below the mounting plate. These pumps will be available with a chemical-resistant NEMA TEFC motor with an integral 316SS shaft, a PTFE vapor seal, and a sleeved CPVC or PVDF keyed impeller. Titanium is not available. Includes 2" discharge piping as standard.

Series P

Penguin Vertical Pump

Specifications

Model	Max Flow (gpm)	Max Head (ft)	Suction	Discharge	Motor						Dimensions			
					HP	RPM	Volts	Hertz	Phase	Amps	Ht	Wth	Lth	Wt
P-1/15	12	9	3/4 MPT	1/2 FPT	1/15	3000	115	50/60	1	2.0	10	10	18	9
					1/25	3300	230			0.8				
P-1/6	22.5	18	1 FPT	3/4 FPT	1/6	3200	115	50/60	1	2.0	11	11	19	11
										230				
P-1/4	33	18.5	1 FPT	3/4 FPT	1/3	3450	110/220	50/60	3	5.4/2.7	11	11	27	26
P-1/2	40	23	1 1/4 FPT	1 MPT	1/2	3450	115/230	60	1	7.8/3.9	11	11	26	45
P-3/4	64	27.5	1 1/4 FPT	1 MPT	3/4	3450	115/230	50/60	1	9.8/4.9	11	11	26	47
P-1	74	52	1 1/2 FPT	1 MPT	1	3450	115/230	60	1	11/5.5	11	11	26	50
P-1 1/2	82	62	2 FPT	1 1/2 MPT	1 1/2	3450	115/230	50/60	1	17.8/8.9	12	12	130	48
P-2	112	69	2 FPT	1 1/2 MPT	2	3450	208-230/460	50/60	3	5.8-5.4/2.7	12	12	100	60
P-3	135	88												
PX-3			2 FPT	1 1/2 MPT	5	3450	208-230/460	50/60	3	12.2-11.6/5.8	12	12	120	100
P-5	172	122												
PX-5			2 FPT	1 1/2 MPT	7 1/2	3450	208-230/460	50/60	3	20.5-19.0/9.5	12	12	130	100
P-7 1/2	175	166												

Nomenclature

P	1/2	A	HP	Shaft Construction	Shaft Material
Penguin Vertical Pump	Horsepower 1/15=1/15 1/6=1/6 1/4=1/3 1/2=1/2 3/4=3/4	Construction Material/ O-Ring Elastomer Material A=CPVC/EPR B=Polypropylene/EPR C=PVDF/Viton	Impeller/Housing Construction None=Standard HP=High Pressure	None=Threaded K=Keyway	None=316SS T=Titanium
PX * Penguin Extended Pump	1=1 1 1/2=1 1/2 2=2 3=3 5=5 7 1/2=7 1/2	Not all combinations available			

* Only available for P-3 and P-5 Pumps

Your Stocking Distributor:
Chemical Distributors, Inc. - Buffalo, NY - 800.777.2436 - Fax 716.856.7115

