

9HX SERIES, NINE ELEMENT FLUOROPOLYMER (PTFE) HEATERS					
WATTS	VOLTS	HOT ZONE	OVERALL LENGTH	MODEL NUMBER	SHIP WGT. Lbs./(kg)
		In./(mm)	In./(mm)		
3000	240	9	17	9HX3217-**	28
	480	(230)	(430)	9HX3417-**	(13)
4500	240	15	23	9HX4.5223-**	33
	480	(380)	(585)	9HX4.5423-**	(15)
6000	240	21	29	9HX6229-**	36
	480	(535)	(735)	9HX6429-**	(16.5)
9000	240	28	35	9HX9235-**	40
	480	(710)	(890)	9HX9435-**	(18)
12000	240	38	47	9HX12247-**	49
	480	(965)	(1195)	9HX12447-**	(22.5)
15000	240	47	59	9HX15259-**	60
	480	(1195)	(1500)	9HX15459-**	(27.5)
18000	240	55	68	9HX18268-**	67
	480	(1400)	(1725)	9HX18468-**	(30.5)

Three phase standard. Single phase available as option. Add "-1" before thermal protector designator.

Product Features and Benefits:

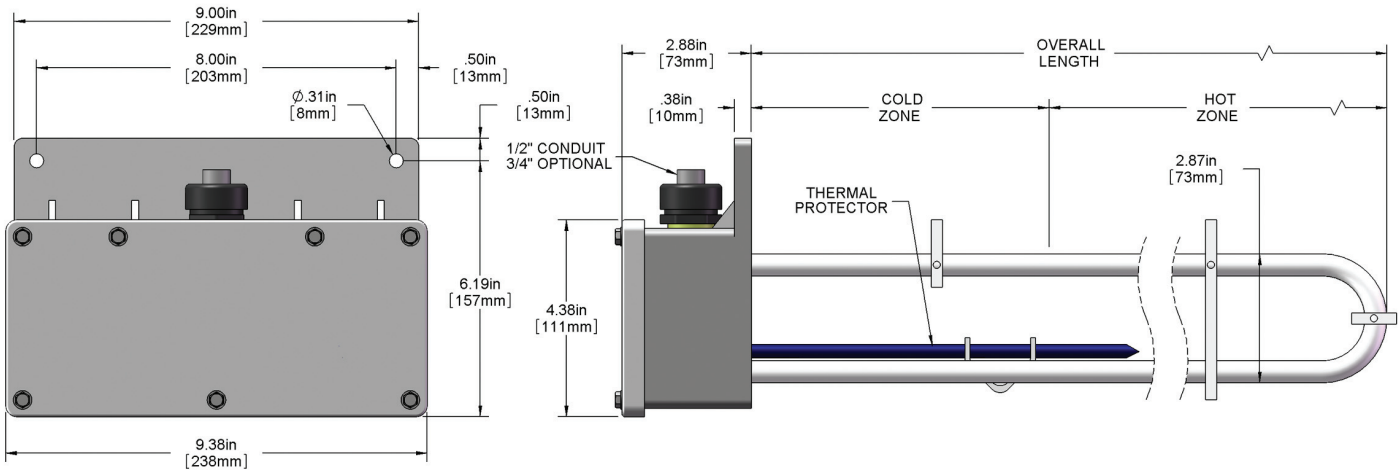
- ◆ **SUPERIOR CHEMICAL RESISTANCE:** Inert to most aqueous acid, alkaline, anodizing and pickling solutions up to 212°F (100°C).
- ◆ **RUGGED CONSTRUCTION:** Heavy wall fluoropolymer (PTFE) covered stainless steel element reduces permeation and eliminates the need for gas purge systems. Guaranteed 100% pinhole free.
- ◆ **OUTSTANDING PERFORMANCE:** Low watt density design (10 watts/square inch, 1.5w/cm²) for long service life. Excellent choice for electroless chemistries.
- ◆ **CORROSION RESISTANT HEAD:** Vapor tight, flame retardant polypropylene terminal enclosure with 3-foot (.9m) flexible PVC liquid tight conduit.
- ◆ **SAFETY FEATURES:**
 - Grounded internal metal element.
 - Thermal protector built in. Replaceable P1 fuse standard for solutions up to 190°F (88°C).
 - Non-floating construction.
- ◆ **CERTIFICATIONS:** UL, CSA, and CE.
- ◆ **SIZES:** 3,000 watts to 18,000 watts.
- ◆ **VOLTAGES:** 120, 240 or 480 volts. 208, 380, 415, 600 (CSA only) and other voltages available. Three phase standard, single phase available.
- ◆ **OPTIONS AVAILABLE** (consult factory):
 - Resettable thermal protectors:
 - P2 bi-metal switch: for solutions up to 190°F (88°C).
 - P8 type-J thermocouple for solutions from 190°F (88°C) to 210°F (99°C).
 - P3 type-J thermocouple for solutions from 210°F (99°C) to 250°F (121°C).
 - Polypropylene guards: recommended for applications up to 180°F (82°C) (sold separately).
 - Fluoropolymer (PTFE) guards: recommended for chromic acid or solutions over 180°F (82°C) (sold separately).
 - L-Shaped and other special configurations.
 - Longer wire and conduit lengths.
 - Lower watt densities for highly viscous solutions and technical acids.
 - Temperature and level controls sized to match the heater.

Your Distributor:

80 Metcalfe Street • Buffalo, NY 14206 U.S.A. • US/CN: 800-777-2436 • 716-856-2300 • Fax: 716-856-7115

www.cdibuffalo.com • E-mail: sales@cdibuffalo.com

DIMENSIONS



NINE ELEMENT FLUOROPOLYMER (PTFE) HEATER ORDERING INFORMATION

Series	Wattage	Voltage	Overall Length (in.)	Options	Type of Fuse	Wire and Conduit Length																
	3 = 3000 4.5 = 4500 6 = 6000 9 = 9000 12 = 12000 15 = 15000 18 = 18000	1 = 120 2 = 240 3 = 380 4 = 480 5 = 415 6 = 600 7 = 400 8 = 208 9 = 220 0 = 200	17 = 3kW 23 = 4.5kW 29 = 6kW 35 = 9kW 47 = 12kW 59 = 15kW 68 = 18kW			no designator = 36" length standard specify variations from standard Ex: -X84 = 84" wire and conduit																
	9HX = PTFE 9HS = 304 stainless steel				<table border="1" style="width: 100%; border-collapse: collapse;"> <thead> <tr> <th colspan="2" style="text-align: center;">Replaceable Fuse</th> </tr> </thead> <tbody> <tr> <td style="width: 30%;">-P1 (std)</td> <td>for solutions up to 190°F</td> </tr> <tr> <td>-P4</td> <td>for 190° - 220°F solutions</td> </tr> <tr> <th colspan="2" style="text-align: center;">Resettable Fuse</th> </tr> <tr> <td colspan="2" style="text-align: center;">(additional control components required)</td> </tr> <tr> <td>-P2</td> <td>for solutions up to 190°F</td> </tr> <tr> <td>-P8</td> <td>for 190° - 210°F solutions</td> </tr> <tr> <td>-P3</td> <td>for 210° - 250°F solutions</td> </tr> </tbody> </table>	Replaceable Fuse		-P1 (std)	for solutions up to 190°F	-P4	for 190° - 220°F solutions	Resettable Fuse		(additional control components required)		-P2	for solutions up to 190°F	-P8	for 190° - 210°F solutions	-P3	for 210° - 250°F solutions	
Replaceable Fuse																						
-P1 (std)	for solutions up to 190°F																					
-P4	for 190° - 220°F solutions																					
Resettable Fuse																						
(additional control components required)																						
-P2	for solutions up to 190°F																					
-P8	for 190° - 210°F solutions																					
-P3	for 210° - 250°F solutions																					
	no designator = three phase power (standard) -1 = single phase power																					

1 inch = 25.4mm

ORDERING EXAMPLE:

9HX6229-P2-X84

9 element, fluoropolymer, 6,000 watts, 240 volt, 29" overall length, P2 fuse, 84" wire and conduit.

Your Distributor:

80 Metcalfe Street • Buffalo, NY 14206 U.S.A. • US/CN: 800-777-2436 • 716-856-2300 • Fax: 716-856-7115

www.cdibuffalo.com • E-mail: sales@cdibuffalo.com