

9HS SERIES, NINE ELEMENT STAINLESS STEEL HEATERS					
WATTS	VOLTS	HOT ZONE In./(mm)	OVERALL LENGTH In./(mm)	MODEL NUMBER	SHIP WGT. Lbs./(kg)
9000	240	10	17	9HS9217-**-	16
	480	(255)	(430)	9HS9417-**-	(7.5)
13500	240	16	23	9HS13.5223-**-	19
	480	(405)	(585)	9HS13.5423-**-	(9)
22500	240	20	29	9HS22.5229-**-	23
	480	(510)	(735)	9HS22.5429-**-	(10.5)
31500	240*	25	34	9HS31.5234-M-**-	25
	480	(635)	(835)	9HS31.5434-**-	(11.5)

Three phase standard, single phase available as option. Add "-1" before thermal protector designator.

* Requires welded metal junction box and permanent P2 thermal overload protection.

Product Features and Benefits:

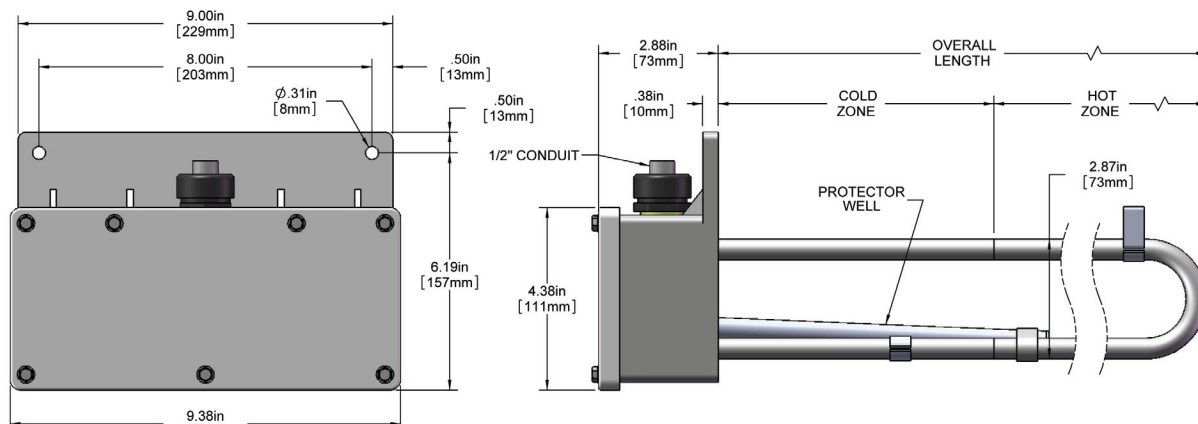
- ◆ **SUPERIOR CHEMICAL RESISTANCE:** For use in most aqueous alkaline solutions and rinse tanks. Check solution recommendation chart or with your chemical supplier for proper sheath material selection.
- ◆ **RUGGED CONSTRUCTION:** Heavy wall metal sheaths in 316 stainless steel.
- ◆ **OUTSTANDING PERFORMANCE:** Watt densities of 40 watts per square inch (6.2 w/cm²) use minimal space and ensure long service life.
- ◆ **CORROSION RESISTANT HEAD:** Vapor resistant, flame retardant polypropylene terminal enclosure with 3-foot (.9m) flexible PVC liquid tight conduit.
- ◆ **SAFETY FEATURES:**
 - Grounded construction.
 - Thermal protector built in. Replaceable P1 protector standard for solutions up to 180°F (82°C).
 - Non-floating construction.
- ◆ **CERTIFICATIONS:** UL listed to U.S. and Canadian safety requirements, and CE (except 600 volts).
- ◆ **SIZES:** 9,000 watts to 31,500 watts.
- ◆ **VOLTAGES:** 200 to 600 volts. Three phase standard, single phase available.
- ◆ **OPTIONS AVAILABLE** (consult factory):
 - Replaceable thermal protectors:
 - P4: for solutions from 180°F (82°C) to 230°F (110°C).
 - Resettable thermal protectors:
 - P2: for solutions up to 180°F (82°C).
 - P6: for solutions from 180°F (82°C) to 230°F (110°C).
 - L-Shaped and other special configurations and lengths.
 - Longer wire and conduit lengths.
 - Lower watt densities for highly viscous solutions.
 - Titanium elements.
 - Temperature and level controls sized to match the heater.

Your Distributor:

80 Metcalfe Street • Buffalo, NY 14206 U.S.A. • US/CN: 800-777-2436 • 716-856-2300 • Fax: 716-856-7115

www.cdibuffalo.com • E-mail: sales@cdibuffalo.com

DIMENSIONS



NINE ELEMENT OVER THE SIDE HEATER ORDERING INFORMATION

Series	Wattage	Voltage	Overall Length (in.)	Options	Type of Protector	Wire and Conduit Length											
	9 = 9000 13.5 = 13500 22.5 = 22500 31.5 = 31500	2 = 240 3 = 380 4 = 480 5 = 415 6 = 600 7 = 400 8 = 208 9 = 220 0 = 200	17 = 9kW 23 = 13.5kW 29 = 22.5kW 34 = 31.5kW			36" length standard (no designator) specify variations from standard Ex: -X84 = 84"											
	9HS = 9 element, 316 stainless steel																
	no designator = three phase power (standard) -1 = single phase power																
					<table border="1" style="width: 100%; border-collapse: collapse;"> <thead> <tr> <th colspan="2" style="text-align: center;">Replaceable Protector</th> </tr> </thead> <tbody> <tr> <td style="text-align: center;">-P1 (std)</td> <td>for solutions up to 180°F</td> </tr> <tr> <td style="text-align: center;">-P4</td> <td>for 180° - 230°F solutions</td> </tr> <tr> <th colspan="2" style="text-align: center;">Resettable Protector</th> </tr> <tr> <td style="text-align: center;">-P2</td> <td>for solutions up to 180°F</td> </tr> <tr> <td style="text-align: center;">-P6</td> <td>for 180° - 230°F solutions</td> </tr> </tbody> </table>	Replaceable Protector		-P1 (std)	for solutions up to 180°F	-P4	for 180° - 230°F solutions	Resettable Protector		-P2	for solutions up to 180°F	-P6	for 180° - 230°F solutions
Replaceable Protector																	
-P1 (std)	for solutions up to 180°F																
-P4	for 180° - 230°F solutions																
Resettable Protector																	
-P2	for solutions up to 180°F																
-P6	for 180° - 230°F solutions																
					1 inch = 25.4mm												

ORDERING EXAMPLE:

9HS9817-P4-X96

9 element, 316 stainless steel, 9000 watt, 208 volt, 17" overall length, P4 protector, 96" conduit and leads.

Your Distributor:

80 Metcalfe Street • Buffalo, NY 14206 U.S.A. • US/CN: 800-777-2436 • 716-856-2300 • Fax: 716-856-7115

www.cdibuffalo.com • E-mail: sales@cdibuffalo.com