

6HX SERIES, SIX ELEMENT FLUOROPOLYMER (PTFE) HEATERS					
WATTS	VOLTS	HOT ZONE In./(mm)	OVERALL LENGTH In./(mm)	MODEL NUMBER	SHIP WGT. Lbs./(kg)
2000	120	9	17	6HX2117-1**	19
	240	(230)	(430)	6HX2217-**	(8.5)
	480			6HX2417-**	
3000	240	15	23	6HX3223-**	22
	480	(380)	(585)	6HX3423-**	(10)
4000	240	21	29	6HX4229-**	24
	480	(535)	(735)	6HX4429-**	(11)
6000	240	28	35	6HX6235-**	27
	480	(710)	(890)	6HX6435-**	(12.5)
8000	240	38	47	6HX8247-**	33
	480	(965)	(1195)	6HX8447-**	(15)
10000	240	47	59	6HX10259-**	40
	480	(1195)	(1500)	6HX10459-**	(18)
12000	240	55	68	6HX12268-**	45
	480	(1400)	(1725)	6HX12468-**	(20.5)

Three phase standard. Single phase available as option. Add "-1" before thermal protector designator.

Product Features and Benefits:

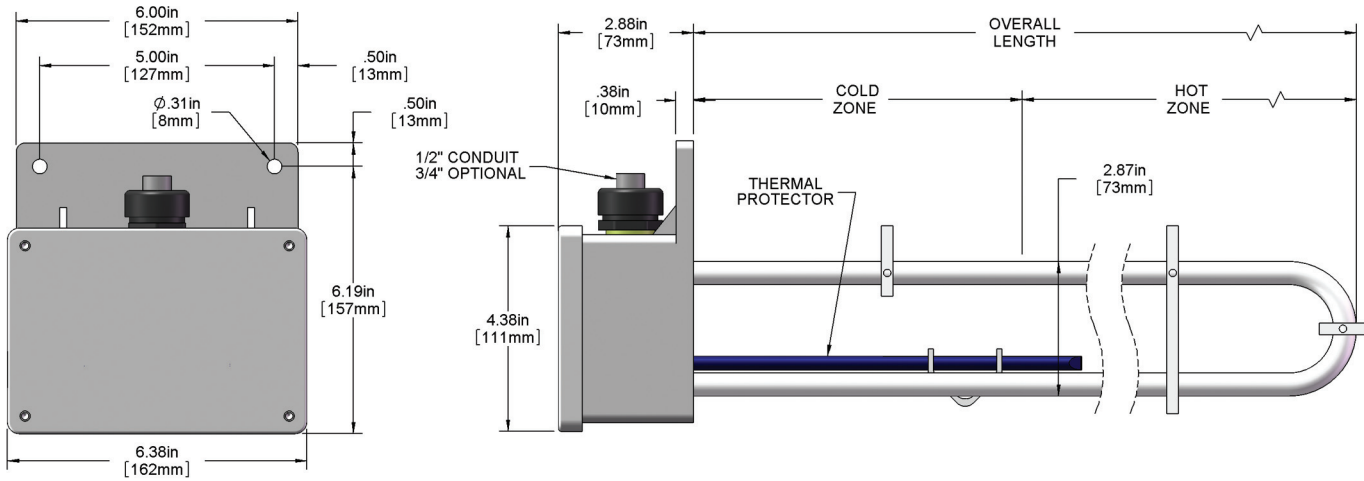
- ◆ **SUPERIOR CHEMICAL RESISTANCE:** Inert to most aqueous acid, alkaline, anodizing and pickling solutions up to 212°F (100°C).
- ◆ **RUGGED CONSTRUCTION:** Heavy wall fluoropolymer (PTFE) covered stainless steel element reduces permeation and eliminates the need for gas purge systems. Guaranteed 100% pinhole free.
- ◆ **OUTSTANDING PERFORMANCE:** Low watt density design (10 watts/square inch, 1.5w/cm²) for long service life. Excellent choice for electroless chemistries.
- ◆ **CORROSION RESISTANT HEAD:** Vapor tight, flame retardant polypropylene terminal enclosure with 3-foot (.9m) flexible PVC liquid tight conduit.
- ◆ **SAFETY FEATURES:**
 - Grounded internal metal element.
 - Thermal protector built in. Replaceable P1 fuse standard for solutions up to 190°F (88°C).
 - Non-floating construction.
- ◆ **CERTIFICATIONS:** UL, CSA, and CE.
- ◆ **SIZES:** 2,000 watts to 12,000 watts.
- ◆ **VOLTAGES:** 120, 240 or 480 volts. 208, 380, 415, 600 (CSA only) and other voltages available. Three phase standard, single phase available.
- ◆ **OPTIONS AVAILABLE (consult factory):**
 - Resettable thermal protectors:
 - P2 bi-metal switch: for solutions up to 190°F (88°C).
 - P8 type-J thermocouple for solutions from 190°F (88°C) to 210°F (99°C).
 - P3 type-J thermocouple for solutions from 210°F (99°C) to 250°F (121°C).
 - Polypropylene guards: recommended for applications up to 180°F (82°C) (sold separately).
 - Fluoropolymer (PTFE) guards: recommended for chromic acid or solutions over 180°F (82°C) (sold separately).
 - L-Shaped and other special configurations.
 - Longer wire and conduit lengths.
 - Lower watt densities for highly viscous solutions and technical acids.
 - Temperature and level controls sized to match the heater.

Your Distributor:

80 Metcalfe Street • Buffalo, NY 14206 U.S.A. • US/CN: 800-777-2436 • 716-856-2300 • Fax: 716-856-7115

www.cdibuffalo.com • E-mail: sales@cdibuffalo.com

DIMENSIONS



SIX ELEMENT FLUOROPOLYMER (PTFE) HEATER ORDERING INFORMATION

Series	Wattage	Voltage	Overall Length	Options	Type of Fuse	Wire and Conduit Length
	2 = 2000 3 = 3000 4 = 4000 6 = 6000 8 = 8000 10 = 10000 12 = 12000	1 = 120 2 = 240 3 = 380 4 = 480 5 = 415 6 = 600 7 = 400 8 = 208 9 = 220 0 = 200	17 = 2kW 23 = 3kW 29 = 4kW 35 = 6kW 47 = 8kW 59 = 10kW 68 = 12kW			36" length standard (no designator) specify variations from standard Ex: -X84 = 84"
	6HX = PTFE 6HS = 304 stainless steel					
	no designator = three phase power (standard) -1 = single phase power					
					Replaceable Fuse	
					-P1 (std) for solutions up to 190°F	
					-P4 for 190° - 220°F solutions	
					Resettable Fuse	
					(additional control components required)	
					-P2 for solutions up to 190°F	
					-P8 for 190° - 210°F solutions	
					-P3 for 210° - 250°F solutions	
					1 inch = 25.4mm	

ORDERING EXAMPLE:

6HX8247-P2

6 element, fluoropolymer, 8,000 watts, 240 volt, 47" overall length, P2 thermal fuse.

Your Distributor:

80 Metcalfe Street • Buffalo, NY 14206 U.S.A. • US/CN: 800-777-2436 • 716-856-2300 • Fax: 716-856-7115

www.cdibuffalo.com • E-mail: sales@cdibuffalo.com