

		HORIZ. STD.						SHIP
WATTS	VOLTS	LGTH. LGTH.*	STEEL	304 SS	316 SS	TITANIUM	WGT.	
		In./(mm) In./(mm)					Lbs./(kg)	
3000	240	13 19	3LVP3213-R*-**	3LVF3213-R*-**	3LVS3213-R*-**	3LVT3213-R*-**	30	
	480	(330) (485)	3LVP3413-R*-**	3LVF3413-R*-**	3LVS3413-R*-**	3LVT3413-R*-**	(14)	
6000	240	17 37	3LVP6217-R*-**	3LVF6217-R*-**	3LVS6217-R*-**	3LVT6217-R*-**	33	
	480	(430) (940)	3LVP6417-R*-**	3LVF6417-R*-**	3LVS6417-R*-**	3LVT6417-R*-**	(15)	
9000	240	22 37	3LVP9222-R*-**	3LVF9222-R*-**	3LVS9222-R*-**	3LVT9222-R*-**	36	
	480	(560) (940)	3LVP9422-R*-**	3LVF9422-R*-**	3LVS9422-R*-**	3LVT9422-R*-**	(16.5)	
12000	240	26 37	3LVP12226-R*-**	3LVF12226-R*-**	3LVS12226-R*-**	3LVT12226-R*-**	39	
	480	(660) (940)	3LVP12426-R*-**	3LVF12426-R*-**	3LVS12426-R*-**	3LVT12426-R*-**	(18)	
15000	240	31 37	3LVP15231-R*-**	3LVF15231-R*-**	3LVS15231-R*-**	3LVT15231-R*-**	42	
	480	(790) (940)	3LVP15431-R*-**	3LVF15431-R*-**	3LVS15431-R*-**	3LVT15431-R*-**	(19)	
18000	240	36 50	3LVP18236-R*-**	3LVF18236-R*-**	3LVS18236-R*-**	3LVT18236-R*-**	45	
	480	(915) (1270)	3LVP18436-R*-**	3LVF18436-R*-**	3LVS18436-R*-**	3LVT18436-R*-**	(20.5)	
24000	240	44 50	3LVP24244-R*-**	3LVF24244-R*-**	3LVS24244-R*-**	3LVT24244-R*-**	54	
	480	(1120) (1270)	3LVP24444-R*-**	3LVF24444-R*-**	3LVS24444-R*-**	3LVT24444-R*-**	(24.5)	
27000	480	50 50	3LVP27450-R*-**	3LVF27450-R*-**	3LVS27450-R*-**	3LVT27450-R*-**	60	
		(1270) (1270)					(27.5)	
30000	480	55 50	3LVP30455-R*-**	3LVF30455-R*-**	3LVS30455-R*-**	3LVT30455-R*-**	66	
		(1400) (1270)					(30)	
36000	480	64 50	3LVP36464-R*-**	3LVF36464-R*-**	3LVS36464-R*-**	3LVT36464-R*-**	75	
		(1625) (1270)					(34)	

\*Specify vertical length by adding height in inches after "-R". Example: 3LVF3213-R39-P1.

## Product Features and Benefits:

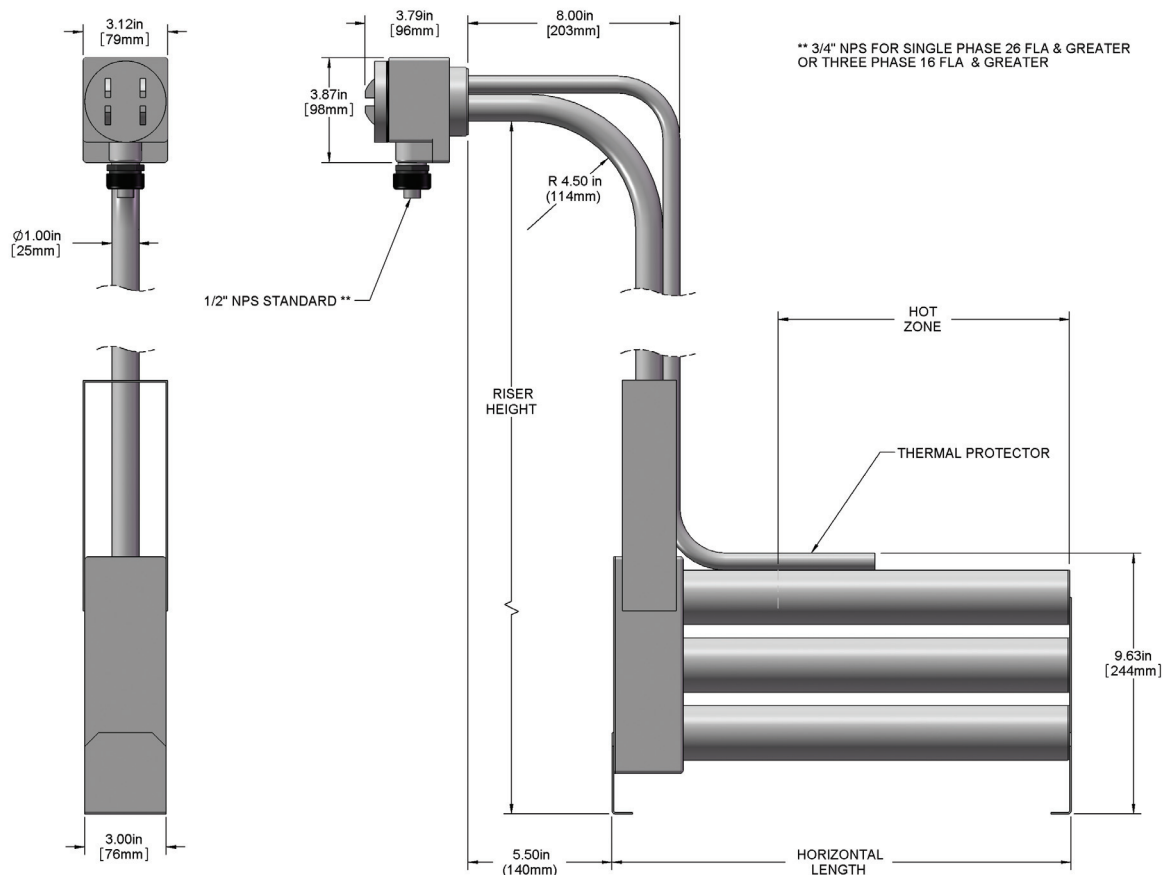
- ◆ **SUPERIOR CHEMICAL RESISTANCE:** Materials available for use in most aqueous alkaline solutions, plating solutions, and rinse tanks. Check solution recommendation chart or with your chemical supplier for proper sheath material selection.
- ◆ **RUGGED CONSTRUCTION:** Heavy wall metal sheaths available in:
  - Steel.
  - 304 stainless steel.
  - 316 stainless steel.
  - Titanium.
- ◆ **OUTSTANDING PERFORMANCE:** Watt densities of 35 watts per square inch (5.4 w/cm<sup>2</sup>) ensure long service life. Two-inch sludge legs standard, other lengths available.
- ◆ **EVEN HEATING:** Bottom design for even heating and varying liquid levels.
- ◆ **CORROSION RESISTANT HEAD:** Vapor resistant, flame retardant polypropylene terminal enclosure with 3-foot (.9m) flexible PVC liquid tight conduit.
- ◆ **SAFETY FEATURES:**
  - Grounded construction.
  - Thermal protector built in. Replaceable P1 protector standard for solutions up to 180°F (82°C).
  - Non-floating construction.
- ◆ **CERTIFICATIONS:** UL listed (except steel) to U.S. and Canadian safety requirements, and CE (except 600 watts).
- ◆ **SIZES:** 3,000 watts to 36,000 watts.
- ◆ **VOLTAGES:** 120 to 600 volts. Three phase standard, single phase available. Some amperage limitations apply, consult factory.
- ◆ **OPTIONS AVAILABLE (consult factory):**
  - Replaceable thermal protectors:
    - P4: for solutions from 180°F (82°C) to 230°F (110°C).
  - Resettable thermal protectors:
    - P2: for solutions up to 180°F (82°C).
    - P6: for solutions from 180°F (82°C) to 230°F (110°C).
  - Special configurations and vertical lengths.
  - Longer wire and conduit lengths.
  - Longer sludge legs.
  - Flexible risers (available with P2 thermal protectors only).
  - Lower watt densities for highly viscous solutions.
  - Temperature and level controls sized to match the heater.

Your Distributor:

80 Metcalfe Street • Buffalo, NY 14206 U.S.A. • US/CN: 800-777-2436 • 716-856-2300 • Fax: 716-856-7115

www.cdibuffalo.com • E-mail: sales@cdibuffalo.com

## DIMENSIONS



### TRIPLE TUBE VERTICAL STACK METAL L-SHAPED HEATER ORDERING INFORMATION

Series	Wattage	Voltage	Horizontal Length	Vertical Length	Riser Option	Options	Type of Protector	Wire and Conduit Length	
3 = 3000	1 = 120	13 = 3kW	-R19 = 3kW	no designator =	36" length standard (no designator) specify variations from standard Ex: -X84 = 84"	<b>Replaceable Protector</b> -P1 (std) for solutions up to 180°F -P4 for 180° - 220°F solutions <b>Resettable Protector</b> (additional control components required) -P2 for solutions up to 180°F -P6 for 180° - 220°F solutions	1 inch = 25.4mm		
6 = 6000	2 = 240	17 = 6kW	-R37 = 6kW	90° horizontal					
9 = 9000	3 = 380	22 = 9kW	-R37 = 9kW	bend (standard)					
12 = 12000	4 = 480	26 = 12kW	-R37 = 12kW	- S = straight riser					
15 = 15000	5 = 415	31 = 15kW	-R37 = 15kW						
18 = 18000	6 = 600	36 = 18kW	-R50 = 18kW						
24 = 24000	7 = 400	44 = 24kW	-R50 = 24kW						
27 = 27000	8 = 208	50 = 27kW	-R50 = 27kW						
30 = 30000	9 = 220	55 = 30kW	-R50 = 30kW						
36 = 36000	0 = 200	64 = 36kW	-R50 = 36kW						
3LVP = steel 3LVF = 304 stainless steel 3LVS = 316 stainless steel 3LVT = titanium			(custom lengths available) Ex: -R21 = 21" -FR = flex riser Ex: -FR21 = 21"					no designator = three phase power (standard) -1 = single phase power	

#### ORDERING EXAMPLE:

3LVS12426-R50-P4-X72

Triple tube, L-shaped, vertical stack, 316 SS, 12,000 watts, 480 volt, 26" length, 50" vertical riser, P4 protector, 72" wire and conduit

Your Distributor:

80 Metcalfe Street • Buffalo, NY 14206 U.S.A. • **US/CN: 800-777-2436** • 716-856-2300 • Fax: 716-856-7115

www.cdibuffalo.com • E-mail: sales@cdibuffalo.com