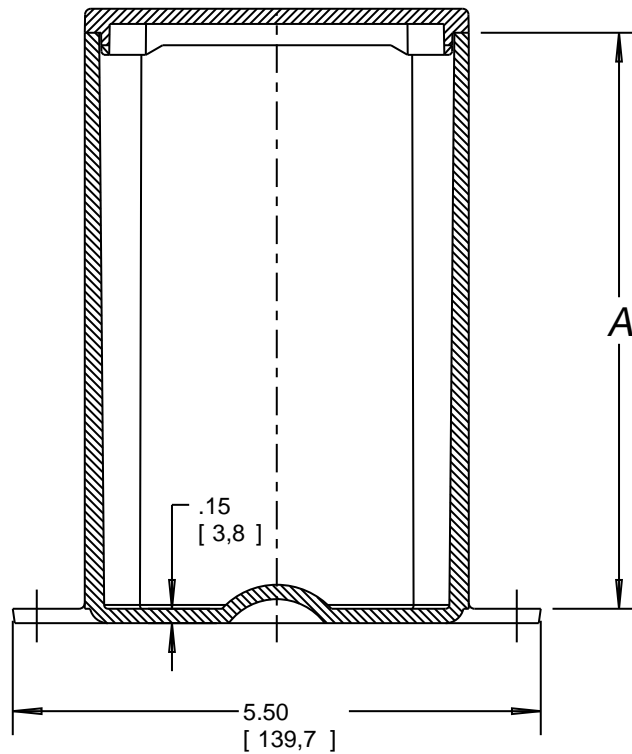
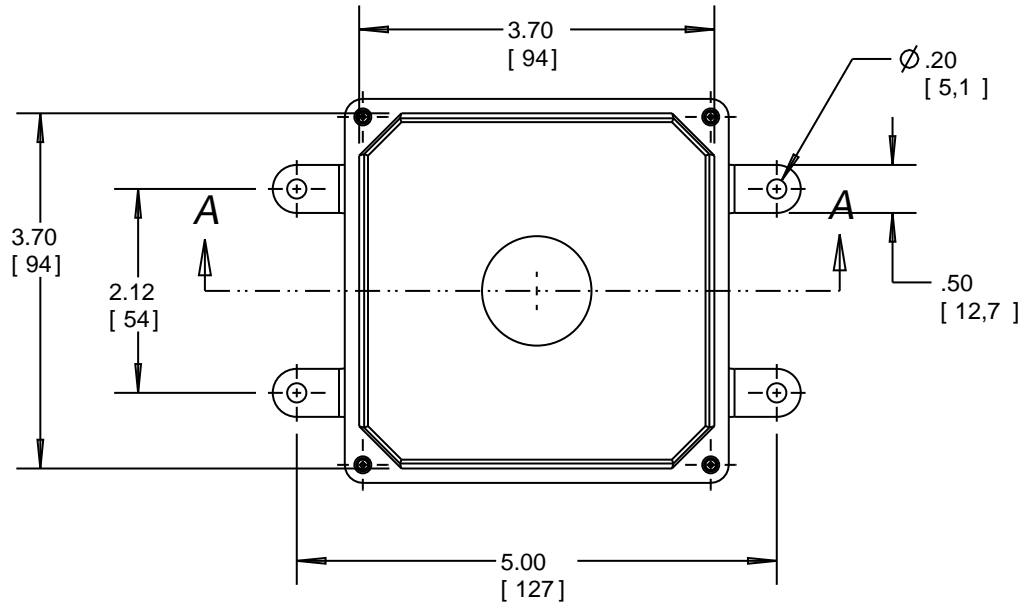


SECTION A-A

- NOTES:  
 1. MATERIAL: PVC  
 2. NEMA TYPES: 4/4X, 6P  
 3. DIMENSIONS ARE INCH/MILLIMETERS

TITLE: MOLDED NON-METALLIC ENCLOSURES - 4X4X4		DRN. DATE RG 9-15-94	PART NO.: <b>E987N</b>
<b>LAMSON &amp; SESSIONS</b>	ALL DRAWINGS ARE THE PROPERTY OF LAMSON & SESSIONS AND SHALL NOT BE REPRODUCED IN ANY FORM WITHOUT LAMSON & SESSIONS' APPROVAL AND ARE TO BE PROMPTLY RETURNED UPON REQUEST	APP. DATE GDT 5-14-07	DRAWING NO.: <b>AC01977</b>
			SHT.1 OF 2
REV. <b>C</b>			

VIEW SHOWN LESS  
COVER FOR CLARITY



SECTION **A-A**  
SCALE 0.500

SIZE	A
E989NNJ (4X4X2)	2.00 (50.8)
E989NNR (4X4X6)	6.00 (152.4)

- NOTES:  
 1. MATERIAL: PVC  
 2. NEMA TYPES: 4/4X, 6P  
 3. DIMENSIONS ARE INCH/MILLIMETERS

TITLE: MOLDED NON-METALLIC ENCLOSURES		DRN. DATE RG 9-15-94	PART NO.: <b>E989NNR/NNJ</b>	
<b>LAMSON &amp; SESSIONS</b>	ALL DRAWINGS ARE THE PROPERTY OF LAMSON & SESSIONS AND SHALL NOT BE REPRODUCED IN ANY FORM WITHOUT LAMSON & SESSIONS' APPROVAL AND ARE TO BE PROMPTLY RETURNED UPON REQUEST	APP. DATE GDT 5-14-07	DRAWING NO.: <b>AC01977</b>	REV.
			SHT.2 OF 2	