

## FLX SERIES, 3" 150 LB. STYLE SINGLE ELEMENT FLUOROPOLYMER (PTFE) FLANGED HEATERS

WATTS	VOLTS	NO. OF ELEMENTS	OVERALL LENGTH In./ (mm)	MODEL NUMBER	SHIP WGT. Lbs./ (kg)
1000	120	1	11	3FLX1111-**	20
	240		(280)	3FLX1211-**	(9)
2000	240	1	16	3FLX2216-**	23
	480		(405)	3FLX2416-**	(11)
3000	240	1	21	3FLX3221-**	26
	480		(535)	3FLX3421-**	(12)
4000	240	1	28	3FLX4228-**	29
	480		(710)	3FLX4428-**	(13.5)
5000	240	1	32	3FLX5232-**	32
	480		(815)	3FLX5432-**	(15)
6000	240	1	35	3FLX6235-**	35
	480		(890)	3FLX6435-**	(16)

## FLX SERIES, 6" 150 LB. STYLE THREE ELEMENT FLUOROPOLYMER (PTFE) FLANGED HEATERS

WATTS	VOLTS	NO. OF ELEMENTS	OVERALL LENGTH In./ (mm)	MODEL NUMBER	SHIP WGT. Lbs./ (kg)
3000	240	3	11	6FLX3211-**	42
	480		(280)	6FLX3411-**	(19)
6000	240	3	16	6FLX6216-**	51
	480		(405)	6FLX6416-**	(23)
9000	240	3	21	6FLX9221-**	60
	480		(535)	6FLX9421-**	(27)
12000	240	3	28	6FLX12228-**	66
	480		(710)	6FLX12428-**	(30)
15000	240	3	32	6FLX15232-**	75
	480		(815)	6FLX15432-**	(34)
18000	240	3	35	6FLX18235-**	84
	480		(890)	6FLX18435-**	(38)

Heaters rated up to 50 PSI service.

## Product Features and Benefits:

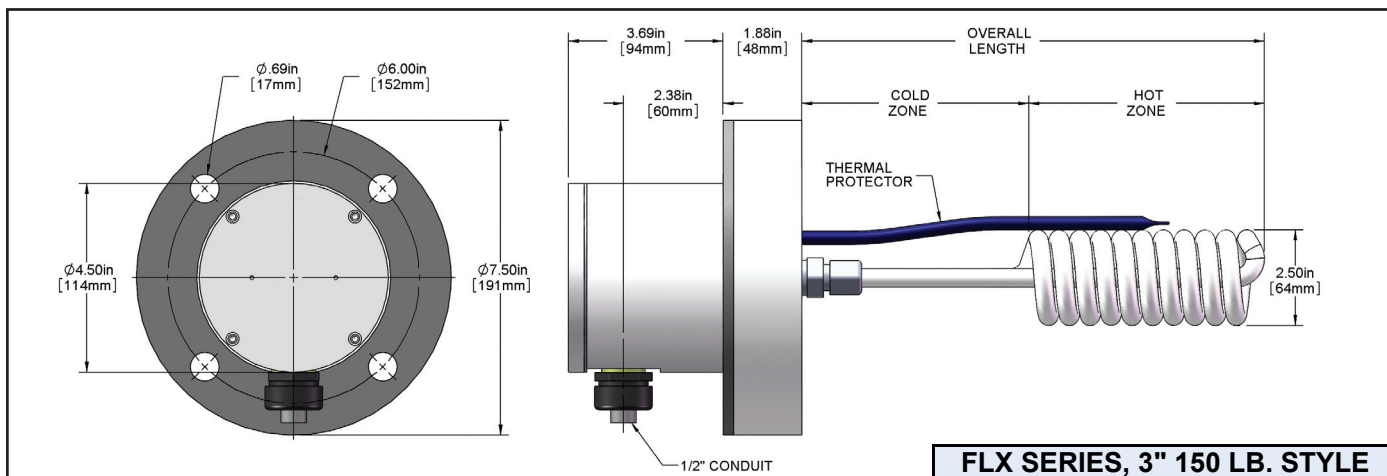
- ◆ **SUPERIOR CHEMICAL RESISTANCE:** Inert to most aqueous acid, alkaline, anodizing and plating solutions. Check solution recommendation chart or with your chemical supplier for proper sheath material selection.
  - ◆ **RUGGED CONSTRUCTION:** Heavy wall fluoropolymer (PTFE) covered stainless steel sheath reduces permeation and eliminates the need for gas purge systems. Guaranteed 100% pinhole free.
    - Rated for up to 50 PSI service.
    - Vapor tight polypropylene head.
  - ◆ **LONG LASTING PERFORMANCE:** Low watt densities of 10 watts per square inch (1.5w/cm<sup>2</sup>) ensure long service life.
  - ◆ **SAFETY FEATURES:**
    - Grounded internal metal heating element.
    - Thermal protector built in. Resettable P2 thermal protector standard for solutions up to 180°F (82°C).
  - ◆ **CERTIFICATIONS:** CE (except 600 volts).
  - ◆ **SIZES:** 1,000 watts to 18,000 watts.
  - ◆ **VOLTAGES:** 240 or 480 volts. 120, 208, 380, 415, 600 and other voltages available. 3FLX single phase only, 6FLX single or three phase.
  - ◆ **OPTIONS AVAILABLE (consult factory):**
    - Special configurations and lengths.
    - Resettable thermal protectors:
      - P8 type-J thermocouple for solutions from 180°F (82°C) to 210°F (99°C).
      - P3 type-J thermocouple for solutions from 210°F (99°C) to 250°F (121°C).
    - Additional thermowells.
    - Integral thermostats.
    - Lower watt densities for highly viscous solutions.
    - Temperature and level controls sized to match the heater.
- NOTE:** Gasket and bolts not provided. Intended for horizontal installation only.

Your Distributor:

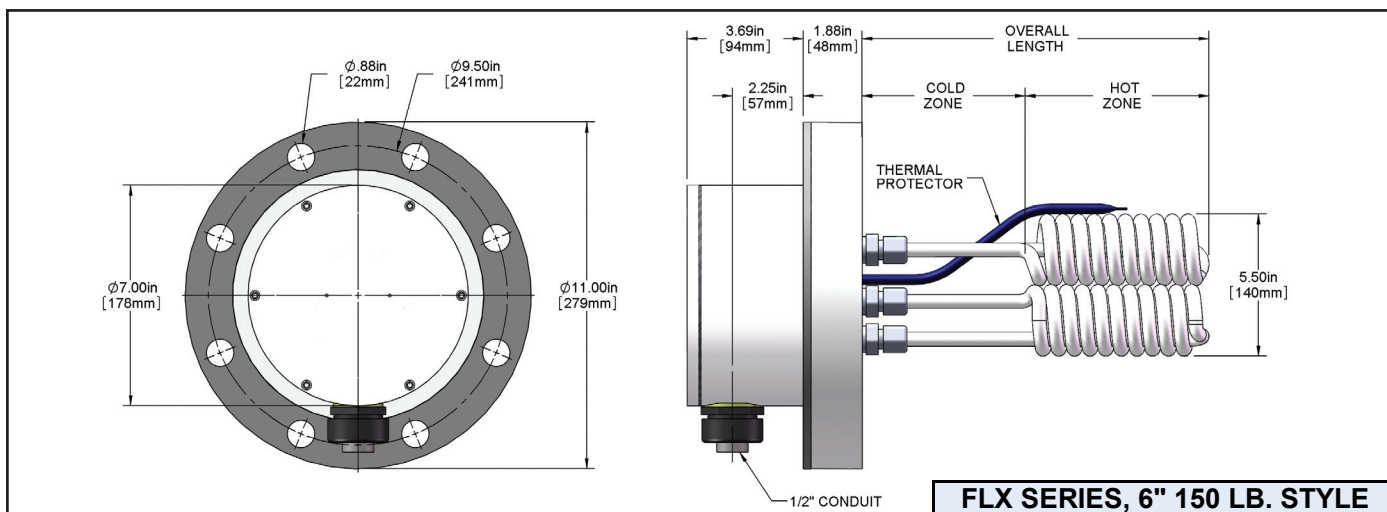
80 Metcalfe Street • Buffalo, NY 14206 U.S.A. • **US/CN: 800-777-2436** • 716-856-2300 • Fax: 716-856-7115

www.cdibuffalo.com • E-mail: sales@cdibuffalo.com

## DIMENSIONS



**FLX SERIES, 3" 150 LB. STYLE**



**FLX SERIES, 6" 150 LB. STYLE**

## PTFE FLANGED HEATER ORDERING INFORMATION

Flange Size	Series	Wattage	Voltage	Overall Length (in.)		Options	Type of fuse	Wire and Conduit Length
3 = 3" 6 = 6"		1 = 1000 2 = 2000 3 = 3000 4 = 4000 5 = 5000 6 = 6000	1 = 120 2 = 240 3 = 380 4 = 480 5 = 415 6 = 600 7 = 400 8 = 208 9 = 220 0 = 200	<b>3FL:</b> 11 = 1kW 16 = 2kW 21 = 3kW 28 = 4kW 32 = 5kW 35 = 6kW specify (custom lengths available)	<b>6FL:</b> 3kW 6kW 9kW 12kW 15kW 18kW	single phase power only for 3FL series three phase power standard for 6FL series -1 = single phase power (6FL only)		
FLX = PTFE sheathed						<b>Resettable Fuse</b> (additional control components required)		
						-P2 for solutions up to 180°F		
						-P8 for 180° - 210°F solutions		
						-P3 for 210° - 250°F solutions		
						no designator = 36" length standard specify variations from standard, Ex: -X84 = 84"		

### ORDERING EXAMPLE:

3FLX1211-P2

3" PTFE flange, PTFE sheathed element, 1,000 watts, 240 volts, 11" overall length, P2 thermal protector.

Your Distributor:

80 Metcalfe Street • Buffalo, NY 14206 U.S.A. • **US/CN: 800-777-2436** • 716-856-2300 • Fax: 716-856-7115

www.cdibuffalo.com • E-mail: sales@cdibuffalo.com